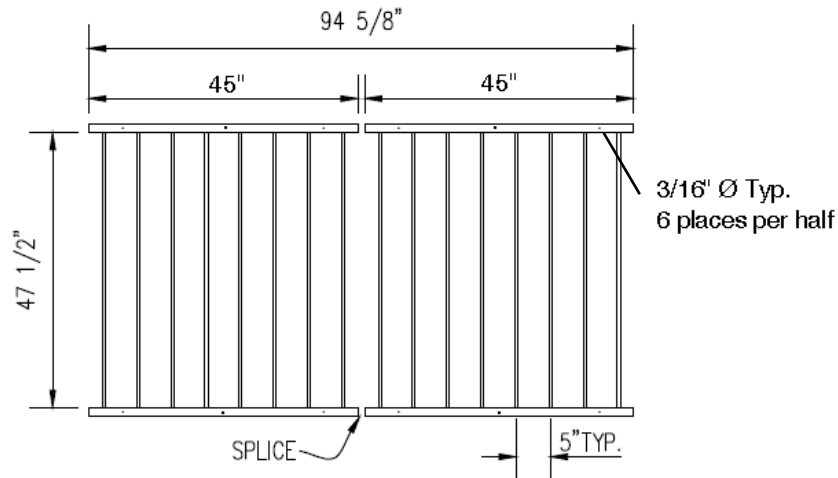
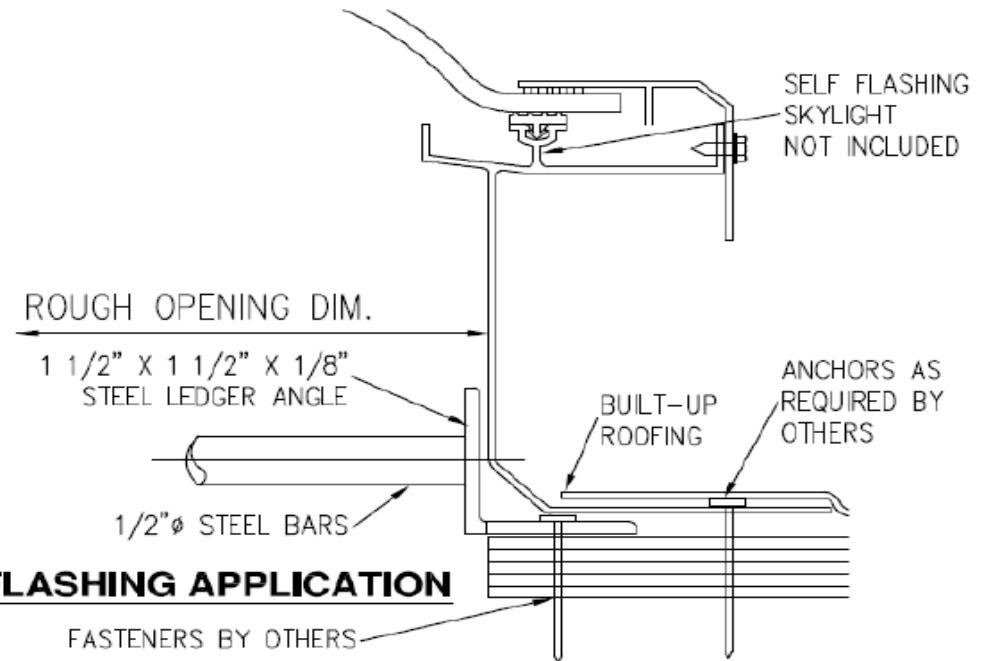


**CURB MOUNT APPLICATION**



**4896-BB11**

Not to Scale



**SELF FLASHING APPLICATION**

FINISH <input checked="" type="checkbox"/> White Powder Coat <input type="checkbox"/> Other: _____				PROJECT:			REVISIONS	
INSIDE CURB DIM.				CUSTOMER:			Δ _____	
4848    48" x 48"		4896    48" x 96"		APPROVED BY:		Date:		
				JOB NO.:			Need or Ship Date:	
				DATE SUBMITTED:			Steel Safety / Burglar Bars	
							Page 3.07 BB	