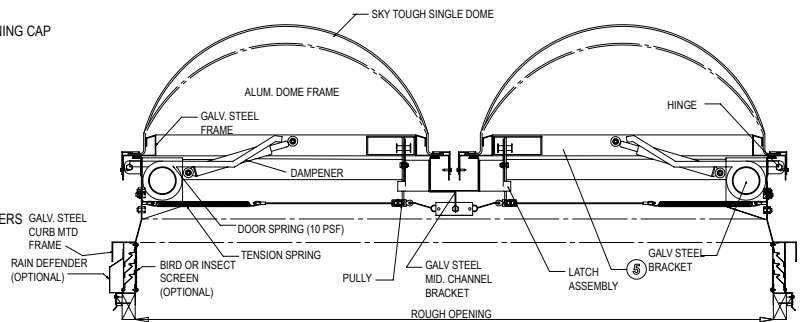
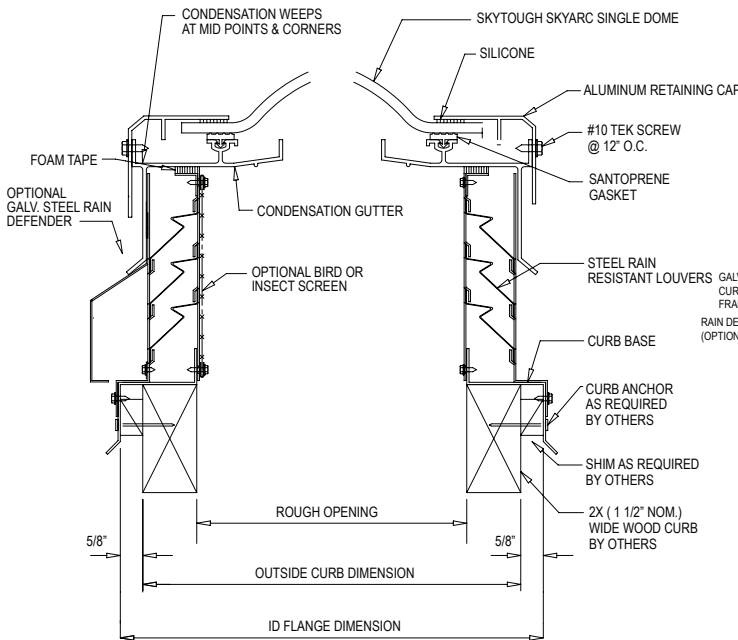


# SkyArc™ Louvered Base Skylights & Smoke Vents

Product Data Sheet

Acralight Solar's innovative galvanized or aluminum curb mounted or self-flashing louvered skylights and smoke vents feature the Acralight SkyArc™ dome design which provides more light gathering surface area for superior light distribution combined with SkyTough™ glazing for exceptional impact strength. For commercial or industrial applications.



Model No. Example: **4896 A-SL3-CM-MF**

**4896 Aluminum frame Skylight Louvered Base Curb Mount Mill Finish**

ADD **IS** for Insect Screen, **BS** for Bird Screen and **RD** for Rain Defenders

Model Size:	Rough Opening:
4848	48" x 48"
4896	48" x 96"
6072	60" x 72"
6096	60" x 96"

Contact us for more sizes

DISCLAIMER: To facilitate Acralight Solar's commitment for continued product improvements, designs and specifications are subject to change without notice.

Contact us:  
Phone: 800-325-4355  
info@acralightsolar.com  
www.acralightsolar.com

7-2022

Model No. Example: **4896 S-ULSV2D-L3-CM-MF**

**4896 Steel frame Smoke Vent Dual Lid Smoke Vent-Curb Mount on a Louvered Base**

FM Option Model No. Example: **4896 S-FMSV2D-DD-CM-MF**

**4896 Steel frame FM Approved Dual Lid Smoke Vent Double Dome Curb Mounted Mill Finish**

See our Products Detail Sheets for more information

SkyArc™ Design Options:

Self-flashing and Curb Mounted Options

ICC Report ESR-2415 for Skylights only

FM 4430 Approved Option FM Smoke Vents

FM 4431 Approved for Skylights

UL 793 Approved for Smoke Vents

Meets AAMA/WDMA/CSA 101/I.S.2/A440

Single, Double and \*Triple Domes available(Skylights only)

Accessories: Recommended Safety Fall Protection available

