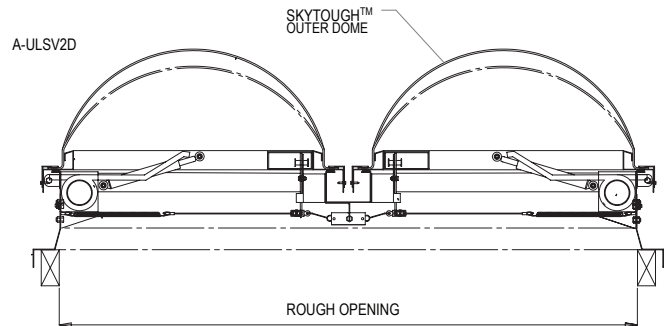
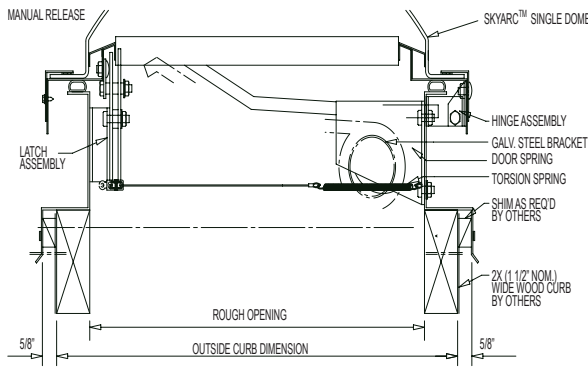


Acralight's Standard Non Listed single leaf smoke vents, UL Listed and FM approved double lid smoke and heat vents, are available in economical galvanized steel or aluminum. The SkyTough™ UL 972 Listed glazing features superior impact resistance. UL Listed and FM Approved Units are designed to operate against a 10 psf live load. Unit comes equipped with a UL/FM fusible link and an inside and/or outside manual release handle. Also available with insulated metal lids in aluminum or galvanized steel.



Non Listed Standard Smoke Vent

Model No. Example: **4896-S-SV-DD-CM-ST-MF-OR-370°**

4896 Steel frame Smoke Vent Double Dome Curb Mounted

SkyTough-Mill Finish- Outside Release Fusable Link 370° Degrees

Model Size:	Rough Opening
4848	48" x 48"
4872	48" x 72"
4896	48" x 96"
6060	60" x 60"
6072	60" x 72"
6096*	60" x 96"

* size not available in FM

Contact us for more sizes

DISCLAIMER: To facilitate Acralight Solar's commitment for continued product improvements, designs and specifications are subject to change without notice.

Contact us:

Phone: 800-325-4355

info@acralightsolar.com

www.acralightsolar.com

7-2022

UL Listed Smoke Vent

Model No. Example: **4896 A-ULSV2D-CM-ST-MF-OR-370°**

4896 Aluminum frame Smoke Vent 2 Door Curb Mounted

SkyTough-Mill Finish- Outside Release Fusable Link 370° Degrees

FM Option Model No. Example: 4896 A-FMSV2D-DD-CM-MF

4896 Aluminum frame FM Approved Dual Lid Smoke Vent

Double Dome Curb Mounted Mill Finish

Smoke Vent Options:

Non Listed available in Single Leaf only

Available in single or double dome

Curb Mtd or Self Flashing

Exterior and interior manual release

UL Listed or FM Global Approved Options

(UL-793 Listed R21627)

(FM Global PR457696)

Fusible Link Options UL: 212°, 286°, 350°, 360° and 370°

Fusible Link Options FM: 360°

Meets UL972 Impact Test

Glazing will be SkyTough™ SkyArc™ polycarbonate



Technical Specifications: Smoke Vents

Thermal Properties:

Glazing Material	U-Factor	SHGC
SkyTough™ Polycarbonate	.80	.58
White Polycarbonate over Clear Acrylic	.57	.31
White Acrylic over Clear Acrylic	.56	.45
White Polycarbonate Triple Dome	.48	.29

Infrared Blocking Sheet and other glazing options available

Product Test Data:

Test	Results
UL 793 - Automatically Opened Roof Vents for Smoke Vent & Heat	Passed - UL Listed
UL-972- Standard for Safety Burglar Resisting Glazing Material	SkyTough™ Passed - UL Listed
FM 4430 - Approval Standard for Heat and Smoke Vents	Passed - FM Approval
NFPA 204 - Standard for Smoke and Heat Venting	Compliant with Standard
International Fire Code (IFC)	Compliant with Code
California Fire Code (CFC)	Compliant with Code
International Building Code (IBC)	Compliant with Code



Warranty: Manufacturer's standard 10-year warranty



Contact us:
Phone: 800-325-4355
info@acralightsolar.com
www.acralightsolar.com

7-2022

