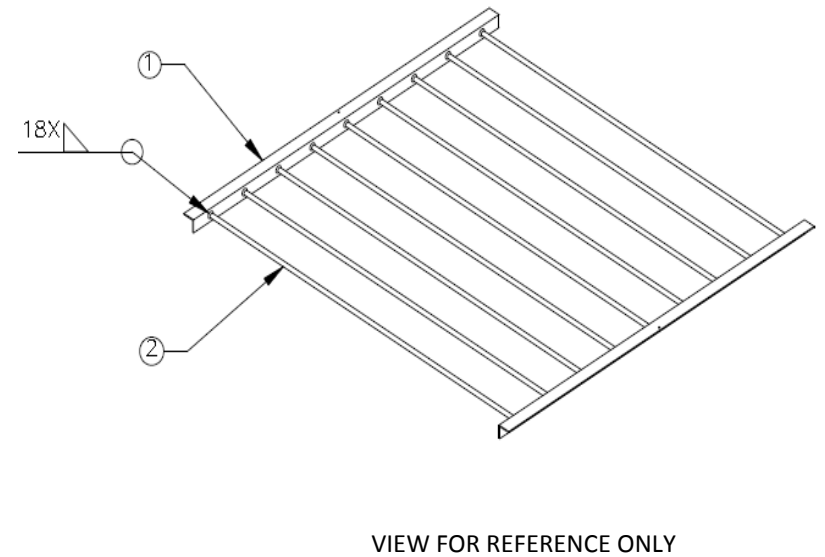
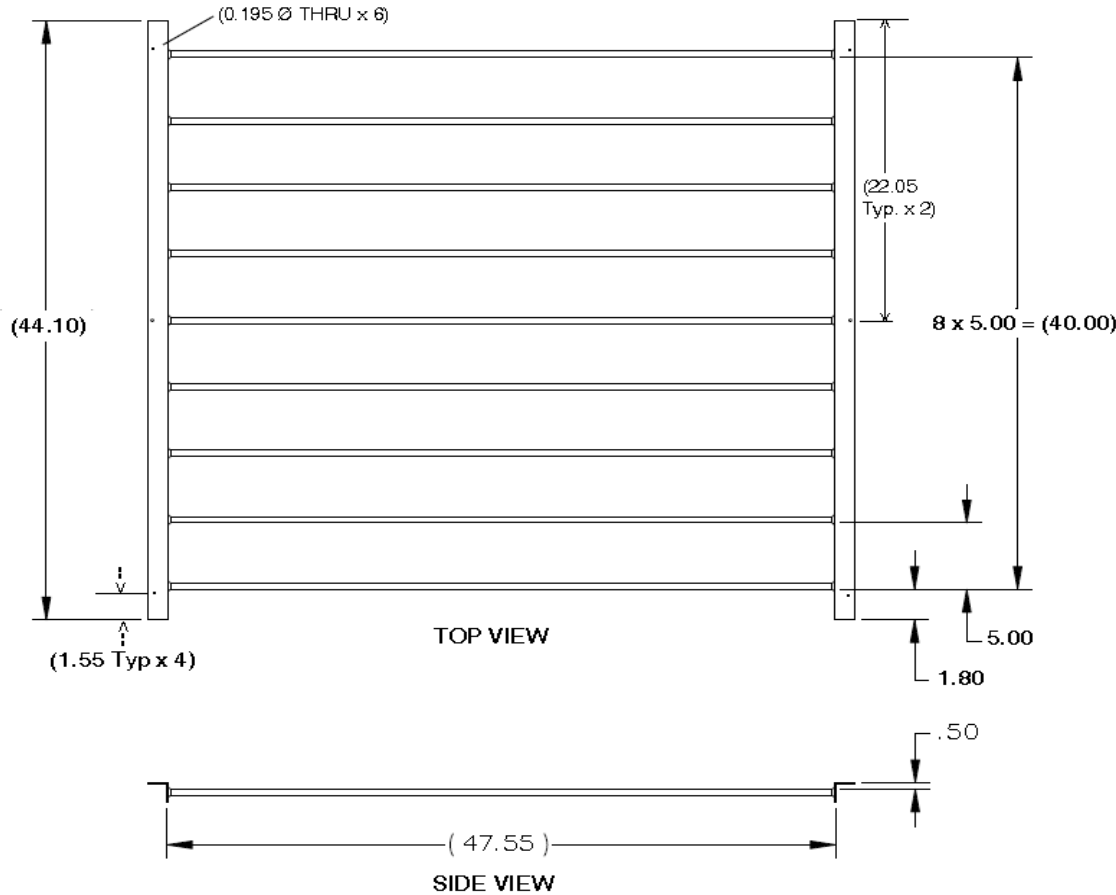


NOTES: UNLESS OTHERWISE SPECIFIED

- 1) DIMENSIONS ARE IN INCHES
- 2) REMOVE ALL BURRRS AND SHARP EDGES
- 3) DIMENSIONS IN ( ) ARE FOR REFERENCE ONLY
- 4) MATERIAL: SEE SHEET (S)
- 5) FINISH: WHITE POWDER COAT

REVISIONS			
REV.	DESCRIPTION	DATE	APPROVED
A	RELEASE FOR PRODUCTION	4/19/07	
B	ADD (2) HOLES	2/3/09	PW
C	DIM. NOW 44.1" - WAS 45"	7/6/17	
	(Other Dimensions Adjusted)		



ITEM #	PART #	DESCRIPTION	QTY
1	BB11 (A)	1/8" x 1-1/2" x 1-1/2" STEEL ANGLE	2
2	BB11 (B)	1/2" DIA. STEEL CROSS BAR	9

DESCRIPTION: STEEL SECURITY/BURGLAR BARS

DRAWN BY: LFM      DRAWING NUMBER



**PROPRIETARY AND CONFIDENTIAL**

THE INFORMATION CONTAINED IN THIS DRAWING IS THE SOLE PROPERTY OF ACRALIGHT SOLAR, LLC. ANY REPRODUCTION IN PART OR IN WHOLE WITHOUT THE WRITTEN PERMISSION OF ACRALIGHT SOLAR, LLC IS PROHIBITED

CHECKED BY:  
DATE: 7/6/2017

BB -11

DO NOT SCALE

SHEET 1 OF 3