



FRAME FINISH OPTIONS	OPTIONS
<input type="radio"/> MILL (UNFINISHED) <input type="radio"/> BRONZE POWDER COAT <input type="radio"/> WHITE POWDER COAT <input type="radio"/> OTHER (COLOR: _____)	<input type="radio"/> <input type="radio"/> <input type="radio"/> <input type="radio"/>

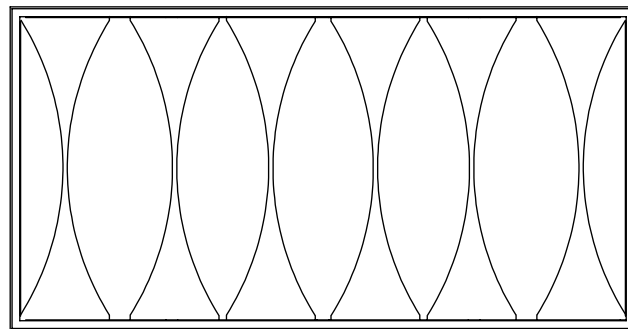
SKY-ARC™ SINGLE GLAZING

OUTER GLAZING

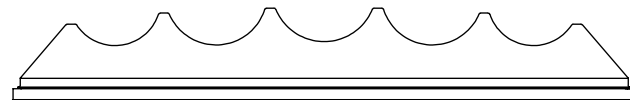
WHITE SKY-TOUGH™(ST),SKY-ARC™(SA) (UL-972 listed)
 CLEAR SKY-TOUGH™(ST),SKY-ARC™(SA) (UL-972 listed)
 PRISMATIC DOME (WHITE OR CLEAR)
 IR DOME

FREE AIR SPACE	
2246- 4.25 Sq. Ft.	4848- 6 Sq. Ft.
6072- 8.25 Sq. Ft.	4896- 9 Sq. Ft.
6096- 9.75 Sq. Ft.	

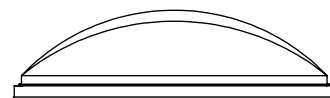
SKY-ARC™ SHAPE



PLAN VIEW

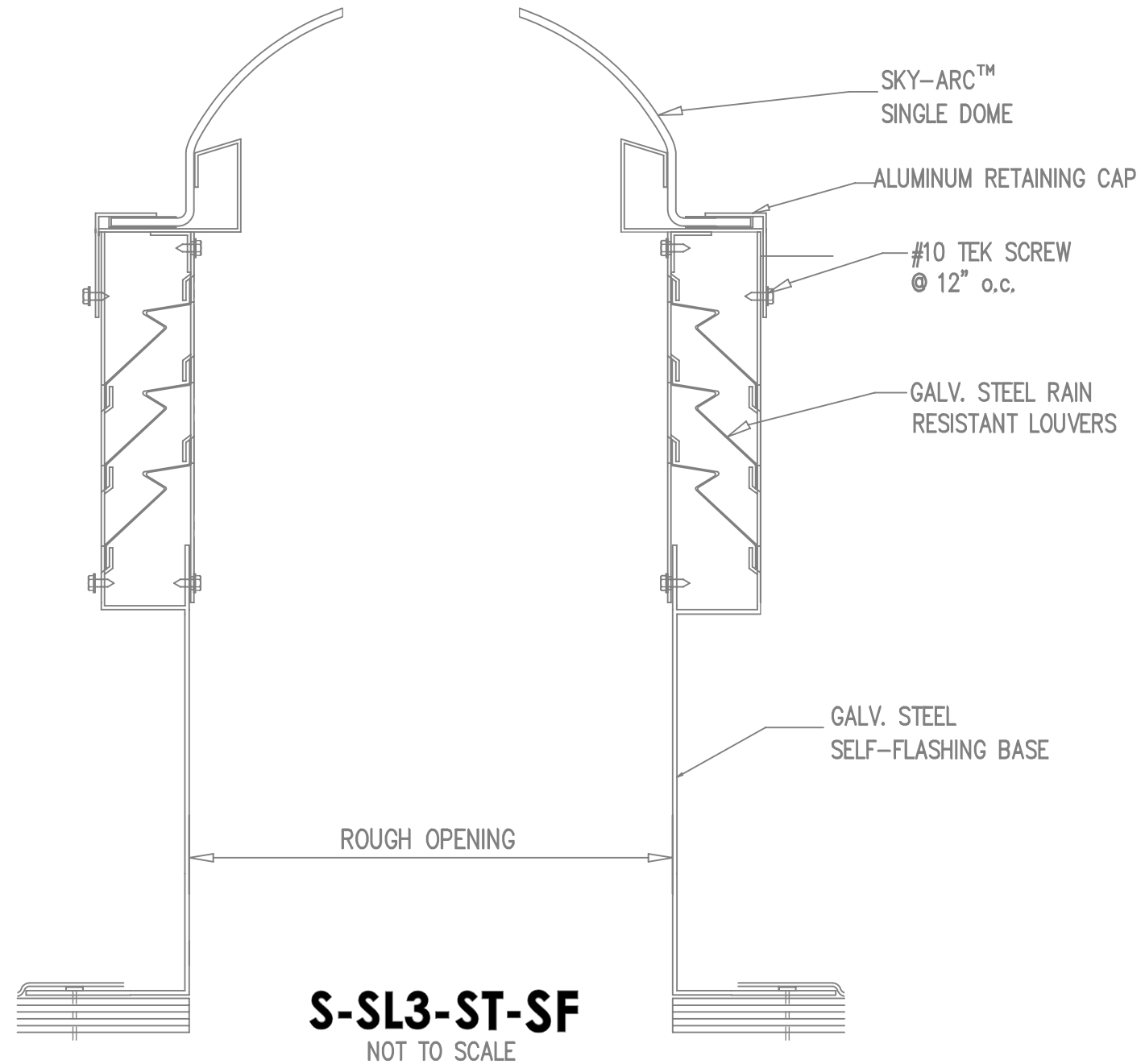


SIDE ELEVATION



END ELEVATION

QTY.	MODEL	ROUGH OPENING	CUSTOM SIZES AVAILABLE		
	IDI	44-1/2" x 91"	ENTER QUANTITIES AND DIMENSIONS		
	2246	22-1/4"X46-1/4"			
	4848	48" X 48"	QTY.	MODEL	ROUGH OPENING
	4896	48" X 96"			
	6072	60" X 72"			
	6096	60" X 96"			



Per ICC Report ESR-2415

PROJECT :	
CUSTOMER :	
APPROVED BY:	DATE:
JOB NO. :	DATE NEEDED OR SHIP BY:
DATE SUB.:	Galvanized Steel Single Dome Louvered Skylight Self-Flashing

REVISIONS	
△	_____
△	_____
△	_____

PAGE: 1.34ST-NO