



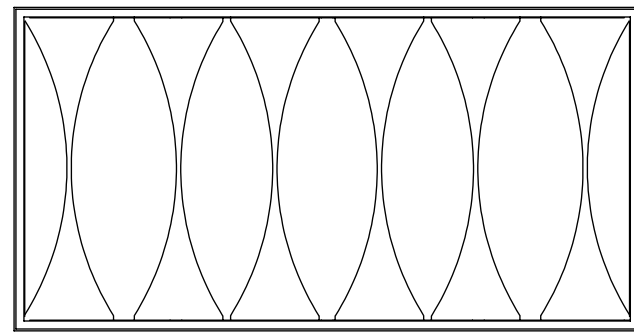
FRAME FINISH OPTIONS	OPTIONS
<input type="radio"/> MILL (UNFINISHED) <input type="radio"/> BRONZE POWDER COAT <input type="radio"/> WHITE POWDER COAT <input type="radio"/> OTHER (COLOR: _____)	<input type="radio"/> BIRD SCREEN <input type="radio"/> INSECT SCREEN <input type="radio"/> RAIN DEFENDER

**SKY-ARC SINGLE GLAZING**

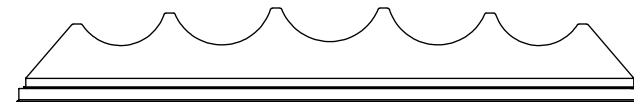
OUTER GLAZING
<input type="radio"/> WHITE SKY-TOUGH™(ST),SKY-ARC™(SA) (UL-972 listed) <input type="radio"/> CLEAR SKY-TOUGH™(ST),SKY-ARC™(SA) (UL-972 listed) <input type="radio"/> PRISMATIC DOME (WHITE OR CLEAR) <input type="radio"/> IR DOME

FREE AIR SPACE	
2246- 4.25 Sq. Ft.	4848- 6 Sq. Ft.
6072- 8.25 Sq. Ft.	4896- 9 Sq. Ft.
6096- 9.75 Sq. Ft.	

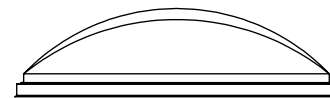
**SKY-ARC™ SHAPE**



**PLAN VIEW**

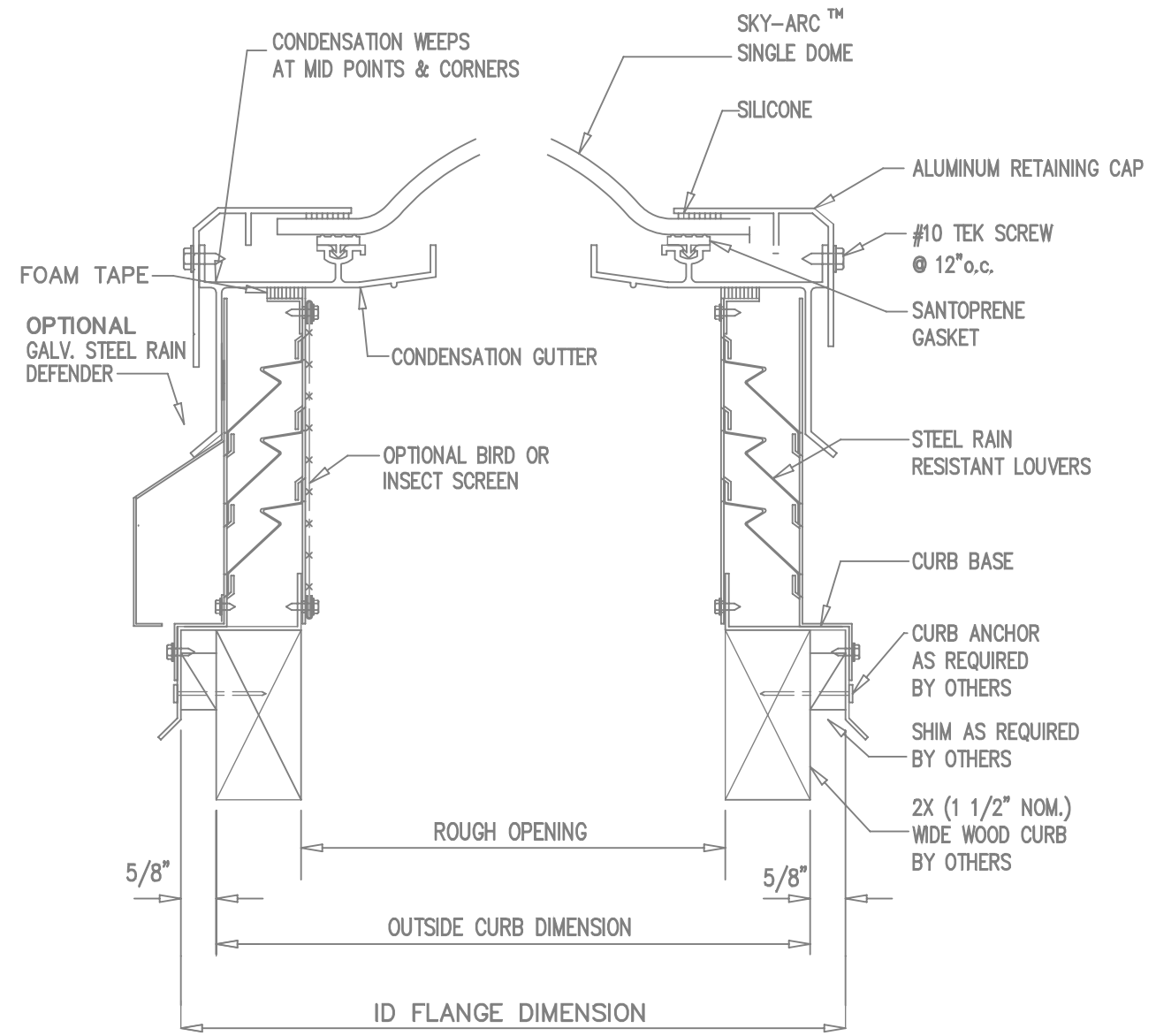


**SIDE ELEVATION**



**END ELEVATION**

QTY.	MODEL	ROUGH OPENING	CUSTOM SIZES AVAILABLE		
			ENTER QUANTITIES AND DIMENSIONS		
	2246	22-1/4"X46-1/4"			
	4848	48" X 48"	QTY.	MODEL	ROUGH OPENING
	4896	48" X 96"			
	6072	60" X 72"			
	6096	60" X 96"			



**A-SL3-ST-CM**  
NOT TO SCALE

Per ICC Report ESR-2415

<b>PROJECT :</b>	
<b>CUSTOMER :</b>	
<b>APPROVED BY:</b>	<b>DATE:</b>
<b>JOB NO. :</b>	<b>DATE NEEDED OR SHIP BY:</b>
<b>DATE SUB.:</b>	Aluminum Single Dome Skylight Curb Mount on Galvanized Steel Louvered Base Curb Mount

REVISIONS	
△	_____
△	_____
△	_____