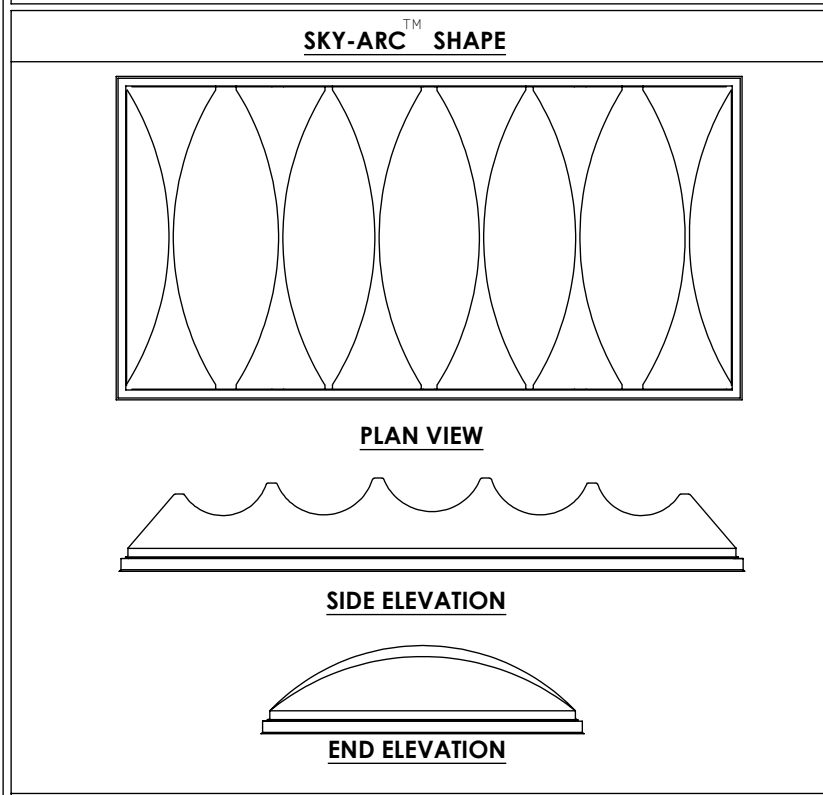




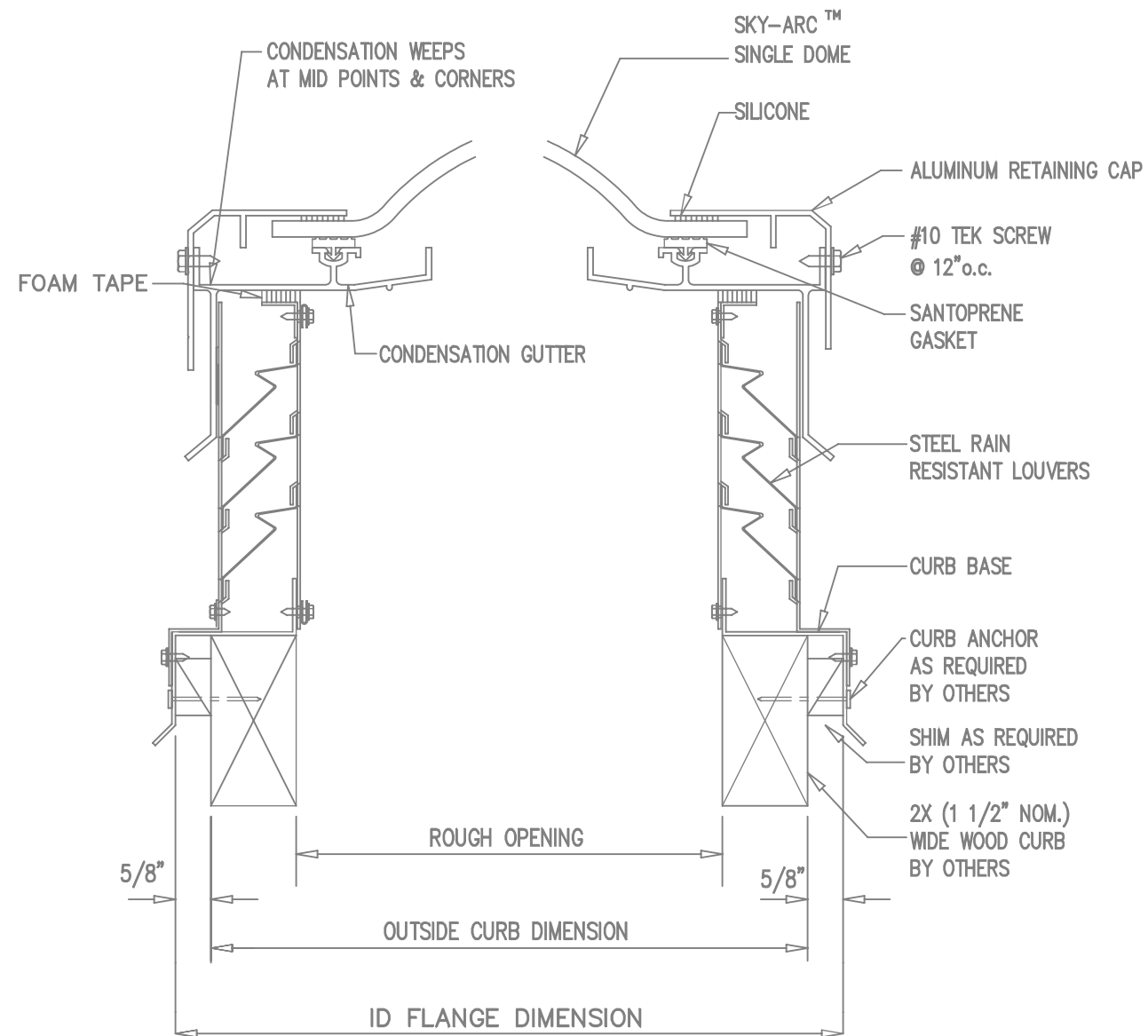
FRAME FINISH OPTIONS	OPTIONS
<input type="radio"/> MILL (UNFINISHED) <input type="radio"/> BRONZE POWDER COAT <input type="radio"/> WHITE POWDER COAT <input type="radio"/> OTHER (COLOR: _____)	<input type="radio"/> <input type="radio"/> <input type="radio"/> <input type="radio"/>

OUTER GLAZING
<input type="radio"/> WHITE SKY-TOUGH™(ST),SKY-ARC™(SA) (UL-972 listed) <input checked="" type="radio"/> CLEAR SKY-TOUGH™(ST),SKY-ARC™(SA) (UL-972 listed) <input type="radio"/> PRISMATIC DOME (WHITE OR CLEAR) <input type="radio"/> IR DOME

FREE AIR SPACE
2246- 4.25 Sq. Ft. 4848- 6 Sq. Ft. 6072- 8.25 Sq. Ft. 4896- 9 Sq. Ft. 6096- 9.75 Sq. Ft.



QTY.	MODEL	ROUGH OPENING	CUSTOM SIZES AVAILABLE		
			ENTER QUANTITIES AND DIMENSIONS		
	2246	22-1/4"X46-1/4"			
	4848	48" X 48"	QTY.	MODEL	ROUGH OPENING
	4896	48" X 96"			
	6072	60" X 72"			
	6096	60" X 96"			



A-SL3-ST-CM
NOT TO SCALE

Per ICC Report ESR-2415

PROJECT :	
CUSTOMER :	
APPROVED BY:	DATE:
JOB NO. :	DATE NEEDED OR SHIP BY:
DATE SUB.:	Aluminum Single Dome Skylight Curb Mount on Galvanized Steel Louvered Base Curb Mount

REVISIONS
△ _____
△ _____
△ _____

PAGE: 1.31ST-NO