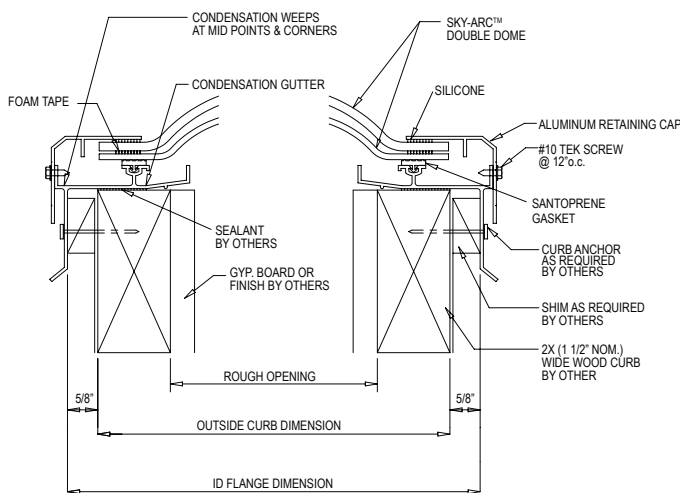
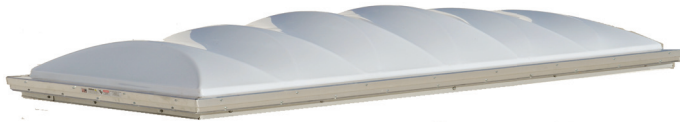


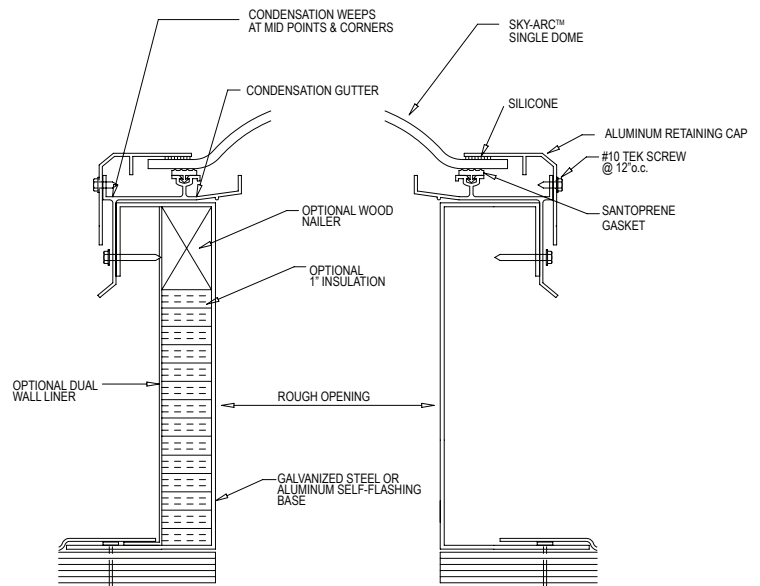
SkyArc™ Skylights

Product Data Sheet

Acralight Solar's innovative galvanized or aluminum curb mounted or self-flashing skylights feature the Acralight SkyArc™ dome design which provides more light gathering surface area for superior light distribution combined with SkyTough™ glazing for exceptional impact strength. For commercial or industrial applications.



Curb Mounted Skylight



Curb Mounted with Self Flashing Base

Model No. Example: **4896 A-S-CM-ST-MF**
4896 Aluminum frame **SkyLight** Curb Mounted **SkyTough-Mill** Finish
 FM Option Model No. Example: **4896 A-FMS-DD-CM-MF**
4896 Aluminum frame **FM** Approved **SkyLight** **Double Dome**
Curb Mounted Mill Finish

SkyArc™ Design Options:

- Skylights meet current IBC Criteria per ICC Report ESR-2415
- IBC 2012, 2015, 2018, 2021
- Meets UL972 Safety Burglar Resistant Glazing Material
- FM 4431 Approved Option
- Meets AAMA/WDMA/CSA 101/I.S.2/A440
- Meets CAL OSHA Fall Protection
- Skylight Glazing will be SkyTough™ SkyArc™ polycarbonate
- Single, Double and Triple Domes available
- Thermal Break available
- Louvered base option available
- Self-flashing base available
- Accessories: Recommended Safety Fall Protection

Model Size:	Rough Opening:
2448	24" x 48"
4848*	48" x 48"
4896*	48" x 96"
6072*	60" x 72"
6096	60" x 96"

* Available in FM Options
 Contact us for more sizes

Technical Specifications: Curb Mounted or Self-Flashing Skylights

Light Transmittance & Thermal Properties

Glazing Material Skylights	U-Factor	SHGC
SkyTough White Polycarbonate	.80	.58
Acrylic over Clear Prismatic	.57	.44
White Polycarbonate over Clear Acrylic	.57	.31
White Acrylic over Clear Acrylic	.56	.45
Bronze Acrylic over Clear Acrylic	.56	.41
White Polycarbonate Triple Dome	.48	.29

Infrared Blocking Sheet and other glazing options available

Product Test Data:

Test	Results
ICC ESR Report 2415 - ICC Codes 2015, 2018, 2021	Approved and Listed (ESR-ES 2415)
ICC AC10 Acceptance Criteria for Quality Documentation	Meets ICC-ES Requirements
ICC AC16 Acceptance Criteria for Plastic Glazed Skylights	Meets ICC-ES Requirements
AAMA/WDMA/CSA 101/I.S.2/A440 - For Skylights	Meets all Requirements
NFRC 100-2004 (U-Factor Testing)	Certified Results Available
NFRC 200-2014 (Solar Heat Gain Coefficient Testing)	Certified Results Available
ASTM E283 Air Leakage Test	Meets AAMA A440 and ICC-ES
ASTM E330 Uniform Loading under Static Pressure	Meets AAMA A440 and ICC-ES
ASTM E331 Water Penetration Test	Meets AAMA A440 and ICC-ES
UL 790 Fire Resistance Standard	Meets AAMA A440 and ICC-ES
FM Approval 4431 - Skylights	Tested and Listed by FM



Warranty: Manufacturer's standard 10-year warranty

DISCLAIMER: To facilitate Acralight Solar's commitment for continued product improvements, designs and specifications are subject to change without notice.



Contact us:
 Phone: 800-325-4355
info@acralightsolar.com
www.acralightsolar.com

