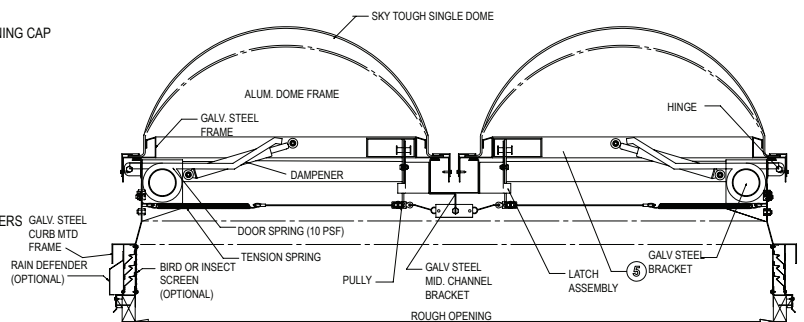
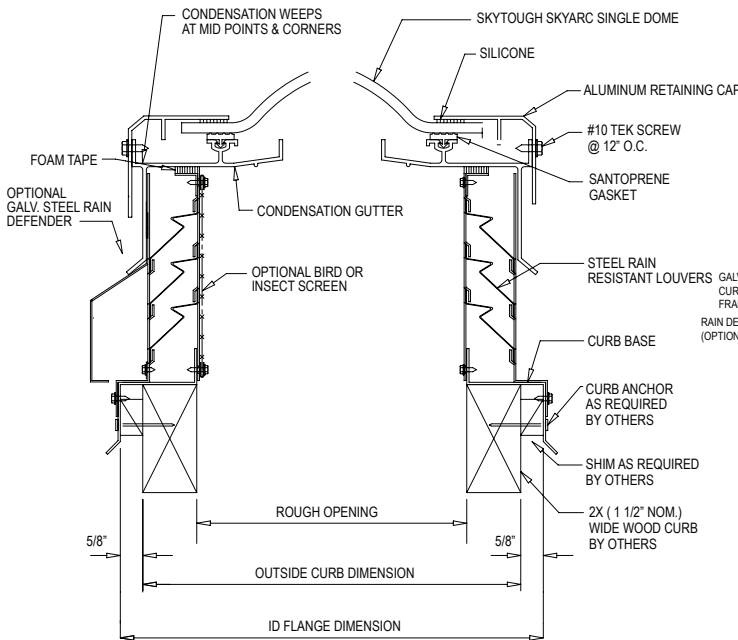


SkyArc™ Louvered Base Skylights & Smoke Vents

Product Data Sheet

Acralight Solar's innovative galvanized or aluminum curb mounted or self-flashing louvered skylights and smoke vents feature the Acralight SkyArc™ dome design which provides more light gathering surface area for superior light distribution combined with SkyTough™ glazing for exceptional impact strength. For commercial or industrial applications.



Model No. Example: **4896 A-SL3-CM-MF**

4896 Aluminum frame Skylight Louvered Base Curb Mount Mill Finish Rain

ADD **IS** for Insect Screen, **BS** for Bird Screen and **RD** for Rain Defenders

Model Size:	Rough Opening:
4848	48" x 48"
4896	48" x 96"
6072	60" x 72"
6096	60" x 96"

Contact us for more sizes

DISCLAIMER: To facilitate Acralight Solar's commitment for continued product improvements, designs and specifications are subject to change without notice.

Contact us:
 Phone: 800-325-4355
 info@acralightsolar.com
 www.acralightsolar.com

7-2022

Model No. Example: **4896 S-ULSV2D-L3-CM-MF**

4896 Steel frame Smoke Vent Dual Lid Smoke Vent-Curb Mount on a Louvered Base

FM Option Model No. Example: **4896 A-FMSV2D-DD-CM-MF**

4896 Aluminum frame FM Approved Dual Lid Smoke Vent Double Dome Curb Mounted Mill Finish

See our Products Detail Sheets for more information

SkyArc™ Design Options:

Self-flashing and Curb Mounted Options

ICC Report ESR-2415 for Skylights only

FM 4430 Approved Option FM Smoke Vents

FM 4431 Approved for Skylights

UL 793 Approved for Smoke Vents

Meets AAMA/WDMA/CSA 101/I.S.2/A440

Single, Double and *Triple Domes available(Skylights only)

Accessories: Recommended Safety Fall Protection available



Technical Specifications: Louvered Base Skylights & Smoke Vents

Light Transmittance & Thermal Properties

Glazing Material Skylights	U-Factor	SHGC
SkyTough White Polycarbonate	.80	.58
Acrylic over Clear Prismatic	.57	.44
White Polycarbonate over Clear Acrylic	.57	.31
White Acrylic over Clear Acrylic	.56	.45
Bronze Acrylic over Clear Acrylic	.56	.41
White Polycarbonate Triple Dome	.48	.29

Glazing Material Smoke Vents	U-Factor	SHGC
SkyTough White Polycarbonate	.80	.58
White Polycarbonate over Clear Acrylic	.57	.31
White Polycarbonate Triple Dome	.48	.29

Infrared Blocking Sheet and other glazing options available

Product Test Data:

Following are applicable to Skylights only

Acralight Solar UL and FM Products Testing & Standards	Results
ICC ESR Report 2415 - ICC Codes 2015, 2018, 2021	Approved and Listed (ESR-ES 2415)
ICC AC10 Acceptance Criteria for Quality Documentation	Meets ICC-ES Requirements
ICC AC16 Acceptance Criteria for Plastic Glazed Skylights	Meets ICC-ES Requirements
AAMA/WDMA/CSA 101/I.S.2/A440 - For Skylights	Meets all Requirements
NFRC 100-2004 (U-Factor Testing)	Certified Results Available
NFRC 200-2014 (Solar Heat Gain Coefficient Testing)	Certified Results Available
ASTM E283 Air Leakage Test	Meets AAMA A440 and ICC-ES
ASTM E330 Uniform Loading under Static Pressure	Meets AAMA A440 and ICC-ES
ASTM E331 Water Penetration Test	Meets AAMA A440 and ICC-ES
UL 790 Fire Resistance Standard	Meets AAMA A440 and ICC-ES
FM Approval 4431 - Skylights	Tested and Listed by FM

Following are applicable to UL or FM Smoke Vents Only

Acralight Solar UL and FM Products Testing & Standards	Results
UL 793 - Automatically Opened Roof Vents for Smoke & Heat	Passed - UL Listed
UL 792 - Standard for Safety Burglar Resisting Glazing Material	SkyTough™ Passed - UL Listed
FM 4430 - Approval Standard for Heat and Smoke Vents	Passed - FM Approved
NFPA 204 - Standard for Smoke and Heat Venting	Compliant with Code
International Fire Code (IFC)	Compliant with Code
California Fire Code (CFC)	Compliant with Code
International Building Code (IBC)	Compliant with Code



Warranty: Manufacturer's standard 10-year warranty



Contact us:
 Phone: 800-325-4355
 info@acralightsolar.com
 www.acralightsolar.com

