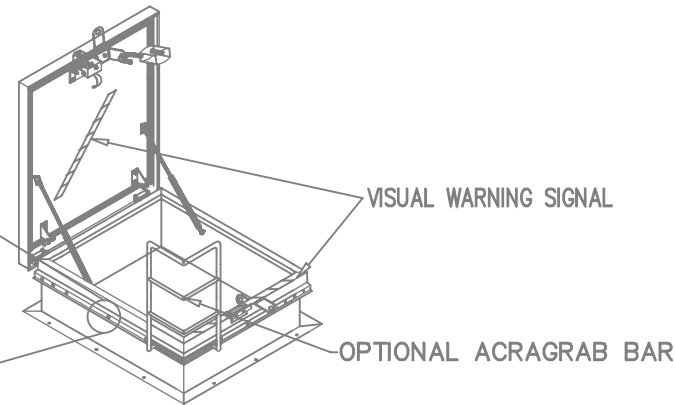
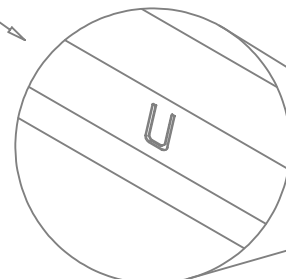


S-RAH

NOT TO SCALE

EZ TAB TO SECURE ROOFING MATERIAL



FIRST CURB DIMENSION DENOTES HINGE SIDE



FRAME FINISH

FINISH

○ FEDERAL SAFETY RED POWDER COAT

REVISIONS

△	_____
△	_____
△	_____

QTY.	MODEL	ROUGH OPENING	QTY.	MODEL	ROUGH OPENING
	3036	2'-6" X 3'-0"			

PROJECT :		DATE:	
CUSTOMER :		DATE NEEDED OR SHIP BY:	
APPROVED BY:	DWG. BY:		
JOB NO. :	DATE SUB.:	GALVANIZED STEEL ROOF ACCESS HATCH SELF-FLASHING W/ ACRAGRAB OPTION	