



FRAME FINISH

- MILL (UNFINISHED)
- OTHER _____

MANUAL RELEASE OPTIONS

- INTERIOR RELEASE
- EXTERIOR RELEASE

SKY-ARC™ SINGLE DOME GLAZING

OUTER GLAZING

- WHITE SKY-TOUGH™(ST),SKY-ARC™(SA) (UL-972 listed)
- CLEAR SKY-TOUGH™(ST),SKY-ARC™(SA) (UL-972 listed)
- PRISMATIC DOME (WHITE OR CLEAR)
- IR DOME

FUSIBLE LINK OPTIONS

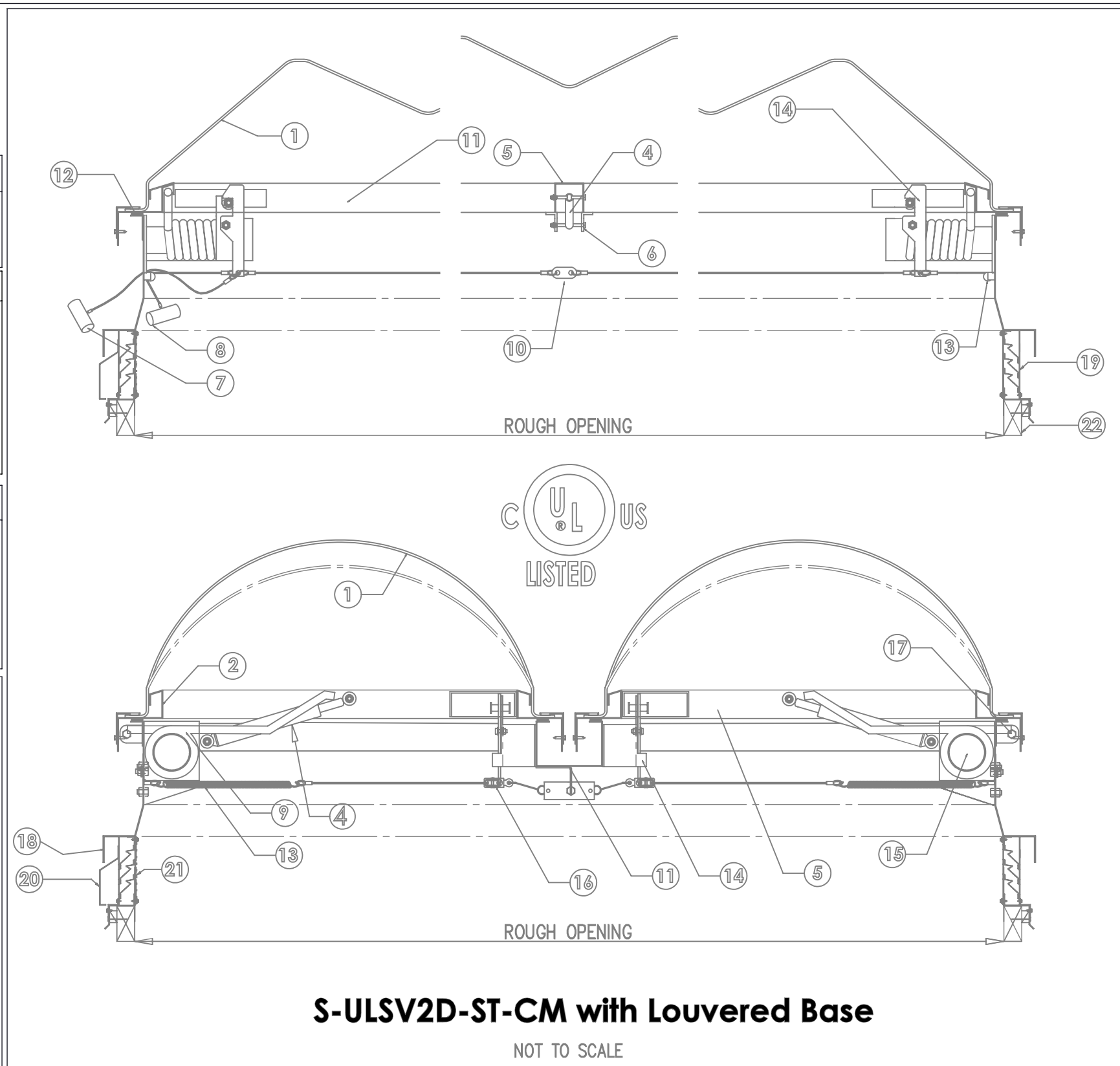
- 212° UL/FM FUSIBLE LINK
- 286° UL/FM FUSIBLE LINK
- 350° UL FUSIBLE LINK
- 360° UL/FM FUSIBLE LINK
- 370° UL FUSIBLE LINK

- ① SKY TOUGH SINGLE DOME
- ② GALV. STEEL DOME FRAME
- ④ SHOCK ABSORBER (DAMPENER)
- ⑤ SHOCK CHANNEL BRACKET @ LID
- ⑥ SUPPORT RAIL
- ⑦ EXTERIOR MANUAL RELEASE
- ⑧ INTERIOR MANUAL RELEASE (OPTIONAL)
- ⑨ DOOR SPRING (10 PSF)
- ⑩ UL/FM FUSIBLE LINK
- ⑪ GALV. STEEL MID. CHANNEL GUTTER
- ⑫ EPDM GASKET
- ⑬ TENSION SPRING
- ⑭ LATCH ASSEMBLY
- ⑮ GALV. STEEL BRACKET
- ⑯ PULLEY
- ⑰ HINGE
- ⑱ GALV. STEEL CURB MOUNTED FRAME
- ⑲ LOUVERED BASE
- ⑳ RAIN DEFENDER (OPTIONAL)
- ㉑ BIRD OR INSECT SCREEN (OPTIONAL)
- ㉒ WOOD NAILER

QTY	MODEL	DIMENSIONS	QTY	MODEL	DIMENSIONS
	4848	48" X 48"		6060	60" X 60"
	4872	48" X 72"		6072	60" X 72"
	4896	48" X 96"		6096	60" X 96"

UL Cert #: 20140401-R21627

UL 10PSF



PROJECT :

CUSTOMER :

APPROVED BY:

DATE:

JOB NO. :

DATE NEEDED OR SHIP BY:

DATE SUB.:

Galvanized Steel Dual Lid UL Smoke Vent Single Dome Curb Mount with Louvered Base

REVISIONS

- △ _____
- △ _____
- △ _____