



FRAME FINISH OPTIONS

- MILL (UNFINISHED)
- BRONZE POWDER COAT
- WHITE POWDER COAT
- OTHER (COLOR: _____)

SKY-ARC™ Double Dome Glazing

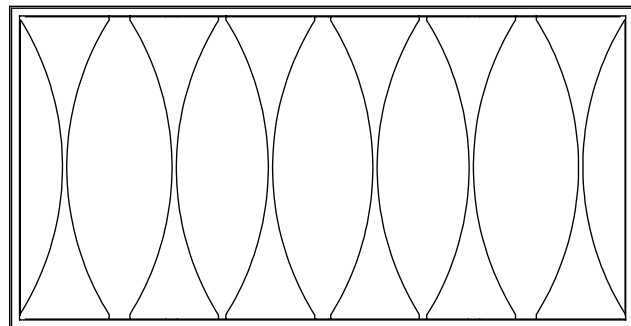
OUTER GLAZING

- WHITE SKY-TOUGH™(ST),SKY-ARC™(SA) (UL-972 listed)
- CLEAR SKY-TOUGH™(ST),SKY-ARC™(SA) (UL-972 listed)
- PRISMATIC DOME (WHITE OR CLEAR)
- IR DOME

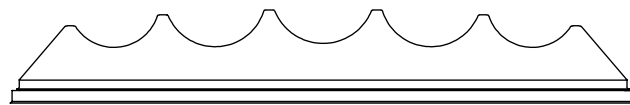
INNER GLAZING

- WHITE ACRYLIC (AW)
- CLEAR ACRYLIC (AC)
- PRISMATIC DOME (WHITE OR CLEAR)

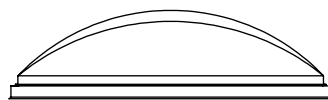
SKY-ARC™ SHAPE



PLAN VIEW

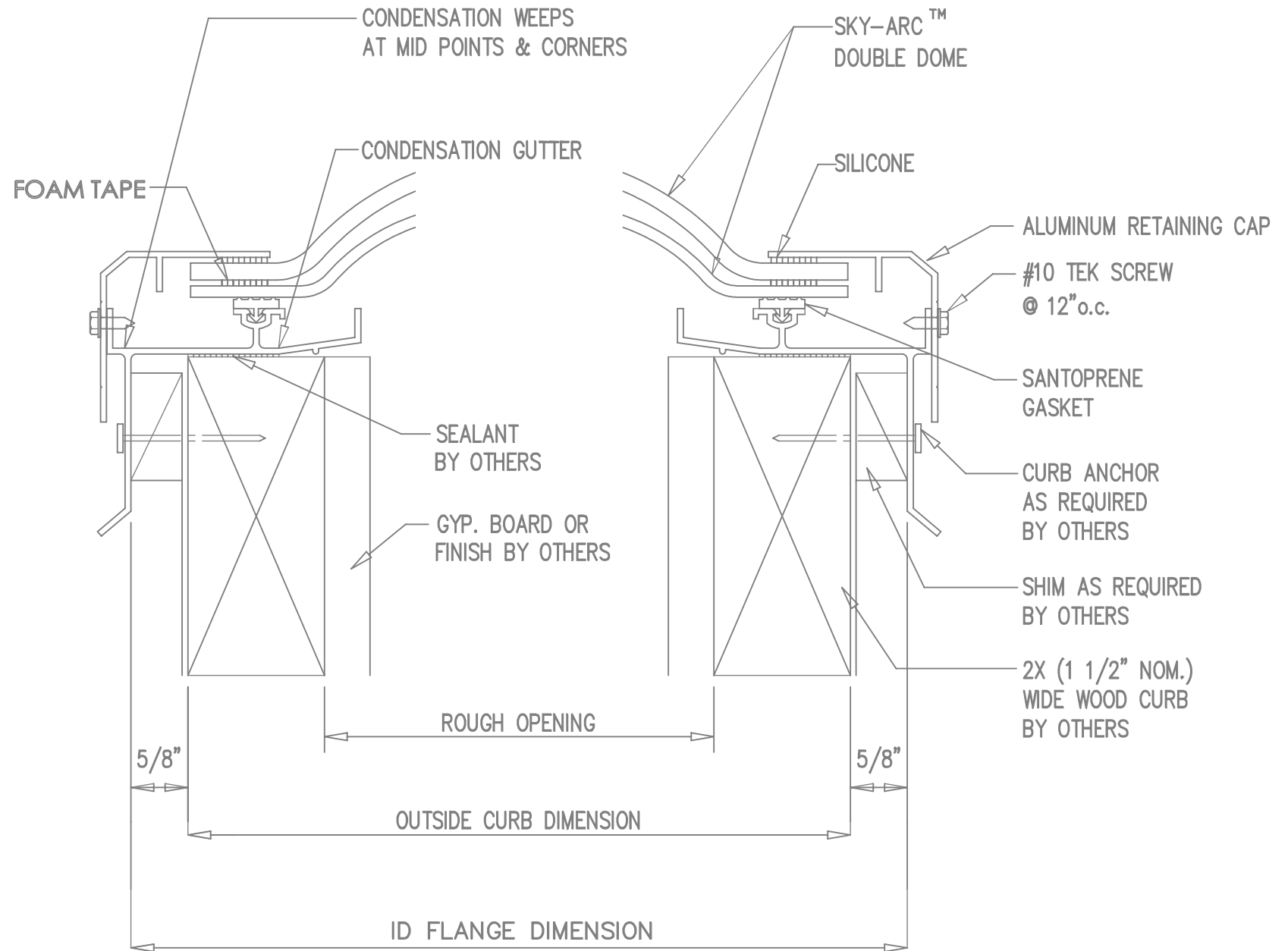


SIDE ELEVATION



END ELEVATION

QTY.	MODEL	ROUGH OPENING	CUSTOM SIZES AVAILABLE		
	IDI	44-1/2" x 91"	ENTER QUANTITIES AND DIMENSIONS		
	2246	22-1/4"X46-1/4"			
	4848	48" X 48"	QTY.	MODEL	ROUGH OPENING
	4896	48" X 96"			
	6072	60" X 72"			
	6096	60" X 96"			



A-S-DD-ST-CM

NOT TO SCALE

Per ICC Report ESR-2415

PROJECT : _____

CUSTOMER : _____

APPROVED BY: _____ **DATE:** _____

JOB NO. : _____ **DATE NEEDED OR SHIP BY:** _____

DATE SUB.: _____ **Aluminum Double Dome Skylight Curb Mount**

REVISIONS

△	_____
△	_____
△	_____