



FRAME FINISH	MANUAL RELEASE OPTIONS
<input type="radio"/> MILL (UNFINISHED) <input type="radio"/> OTHER _____	<input type="radio"/> INTERIOR RELEASE <input type="radio"/> EXTERIOR RELEASE

SKY-ARC™ DOUBLE DOME GLAZING
OUTER GLAZING <input type="radio"/> WHITE SKY-TOUGH™(ST),SKY-ARC™(SA) (UL-972 listed) <input type="radio"/> CLEAR SKY-TOUGH™(ST),SKY-ARC™(SA) (UL-972 listed)
INNER GLAZING <input type="radio"/> WHITE ACRYLIC (AW) <input type="radio"/> CLEAR ACRYLIC (AC) <input type="radio"/> PRISMATIC DOME (WHITE OR CLEAR)

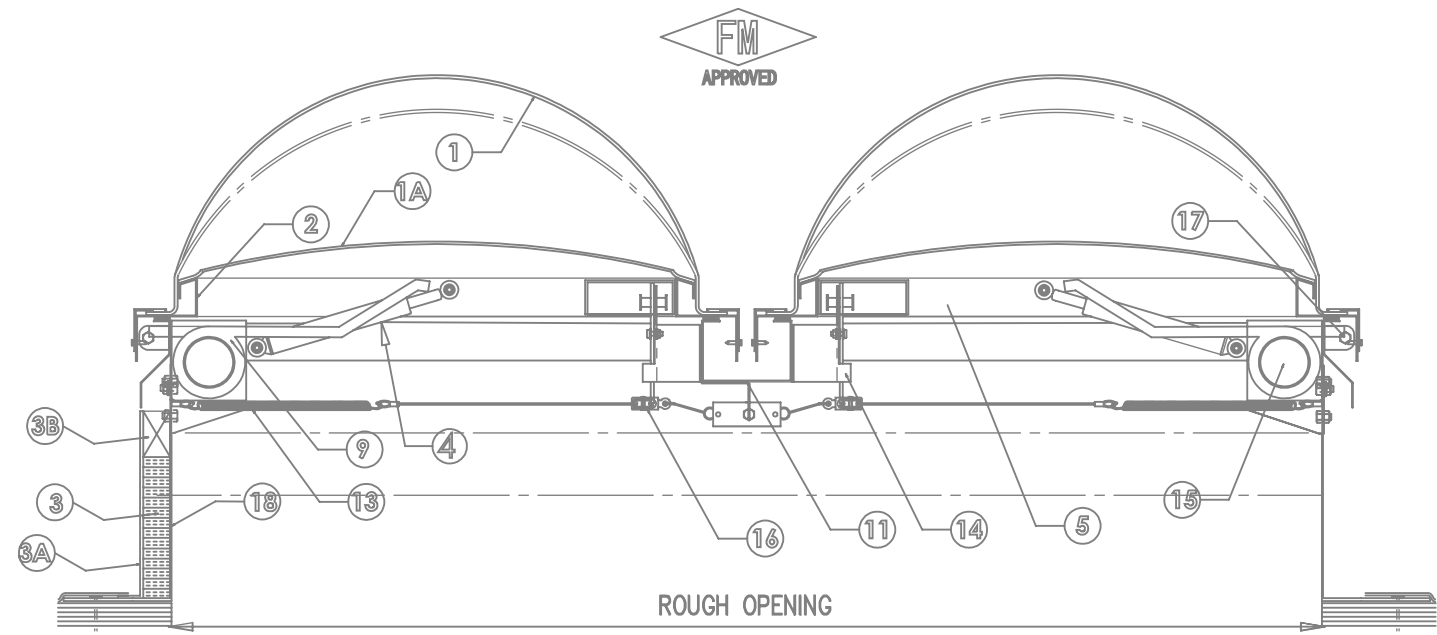
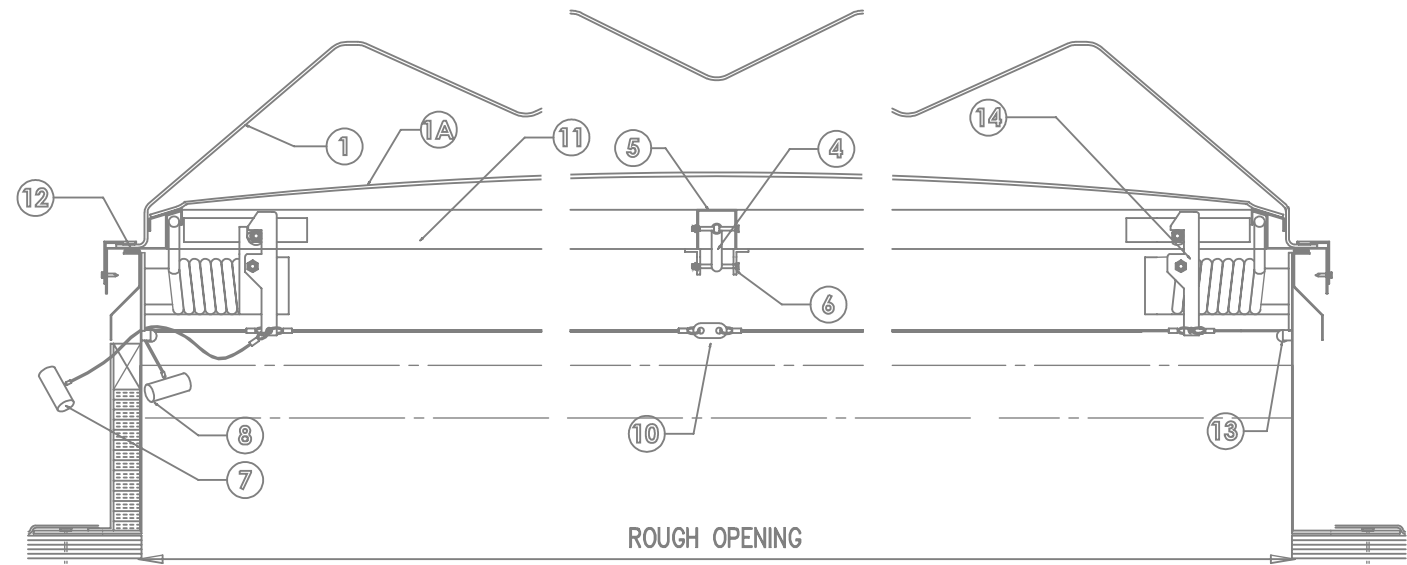
FUSIBLE LINK OPTIONS	SELF-FLASHING CURB OPTIONS
<input type="radio"/> 360° FM FUSIBLE LINK	<input type="radio"/> BASE HEIGHT <input type="radio"/> 7 INCHES <input type="radio"/> 12 INCHES (STANDARD) <input type="radio"/> OTHER _____ <input type="radio"/> 1" INSULATION <input type="radio"/> DUAL WALL LINER <input type="radio"/> WOOD NAILER

- | | |
|--------------------------------------|--------------------------------|
| ① SKY TOUGH OUTER DOME | ⑰ HINGE |
| ①A INNER DOME | ⑱ ALUMINUM SELF-FLASHING FRAME |
| ② ALUMINUM DOME FRAME | |
| ③ 1" INSULATION | |
| ③A DUAL WALL LINER | |
| ③B WOOD NAILER | |
| ④ SHOCK ABSORBER (DAMPENER) | |
| ⑤ SHOCK CHANNEL BRACKET @ LID | |
| ⑥ SUPPORT RAIL | |
| ⑦ EXTERIOR MANUAL RELEASE | |
| ⑧ INTERIOR MANUAL RELEASE (OPTIONAL) | |
| ⑨ DOOR SPRING (10 PSF) | |
| ⑩ FM FUSIBLE LINK | |
| ⑪ ALUMINUM MID. CHANNEL GUTTER | |
| ⑫ EPDM GASKET | |
| ⑬ TENSION SPRING | |
| ⑭ LATCH ASSEMBLY | |
| ⑮ GALV. STEEL BRACKET | |
| ⑯ PULLEY | |

QTY	MODEL	DIMENSIONS	QTY	MODEL	DIMENSIONS
	4848	48" X 48"		6060	60" X 60"
	4872	48" X 72"		6072	60" X 72"
	4896	48" X 96"			

Snow Load: 10 psf

Wind Uplift: 105 psf



A-FMSV2D-DD-SF

NOT TO SCALE

FM Approvals Report No. : PR457696

PROJECT :	
CUSTOMER :	
APPROVED BY:	DATE:
JOB NO. :	DATE NEEDED OR SHIP BY:
DATE SUB.:	Aluminum Dual Lid FM Smoke Vent Double Dome Self-Flashing

REVISIONS
△ _____
△ _____
△ _____
PAGE: 2.29