



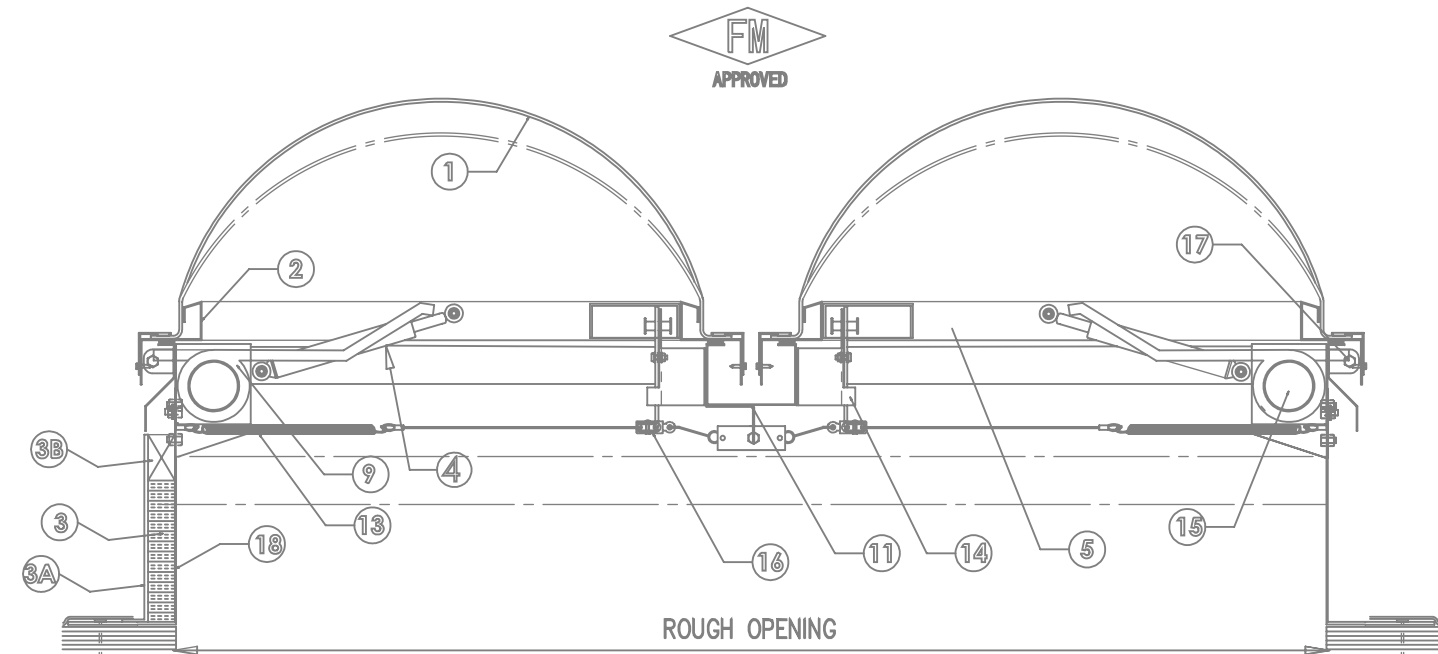
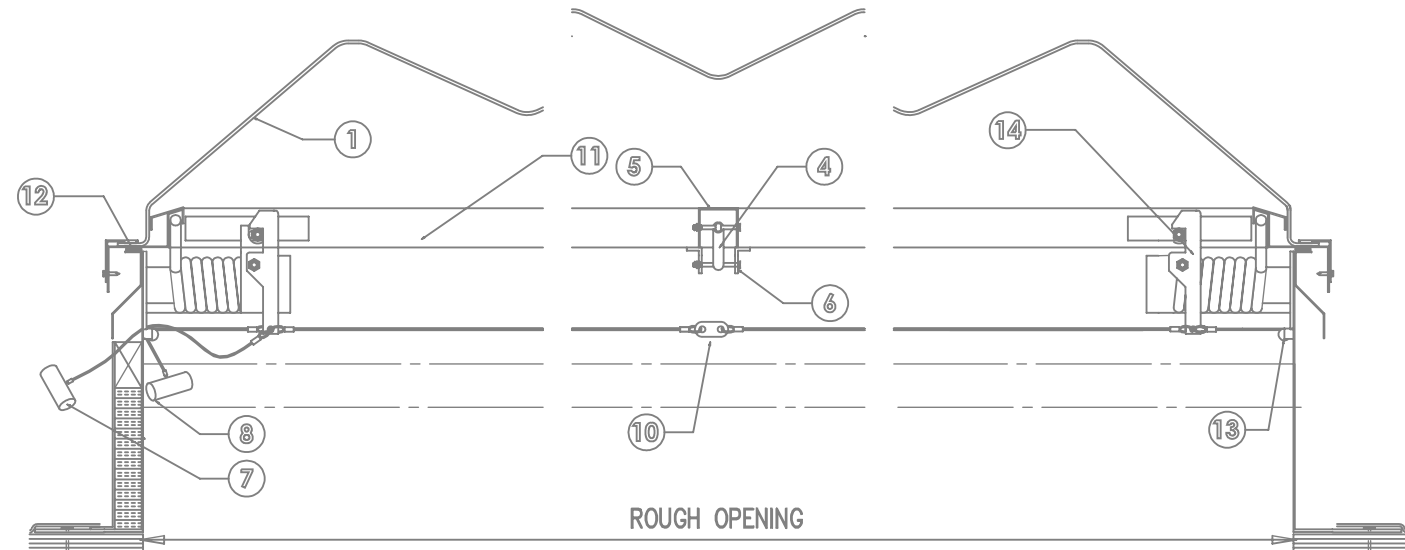
<b>FRAME FINISH</b>	<b>MANUAL RELEASE OPTIONS</b>
<input type="radio"/> MILL (UNFINISHED) <input type="radio"/> OTHER _____	<input type="radio"/> INTERIOR RELEASE <input type="radio"/> EXTERIOR RELEASE

<b>SKY-ARC™ SINGLE DOME GLAZING</b>
<b>OUTER GLAZING</b>
<input type="radio"/> WHITE SKY-TOUGH™(ST),SKY-ARC™(SA) (UL-972 listed) <input type="radio"/> CLEAR SKY-TOUGH™(ST),SKY-ARC™(SA) (UL-972 listed)

<b>FUSIBLE LINK OPTIONS</b>	<b>SELF-FLASHING CURB OPTIONS</b>
<input type="radio"/> 360° FM FUSIBLE LINK	<input type="radio"/> BASE HEIGHT <input type="radio"/> 7 INCHES <input type="radio"/> 12 INCHES (STANDARD) <input type="radio"/> OTHER _____ <input type="radio"/> 1" INSULATION <input type="radio"/> DUAL WALL LINER <input type="radio"/> WOOD NAILER

- |                                      |                                   |
|--------------------------------------|-----------------------------------|
| ① SKY TOUGH SINGLE DOME              | ⑰ HINGE                           |
| ② GALV. STEEL DOME FRAME             | ⑱ GALV. STEEL SELF-FLASHING FRAME |
| ③ 1" INSULATION                      |                                   |
| ④ DUAL WALL LINER                    |                                   |
| ⑤ WOOD NAILER                        |                                   |
| ⑥ SHOCK ABSORBER (DAMPENER)          |                                   |
| ⑦ SHOCK CHANNEL BRACKET @ LID        |                                   |
| ⑧ SUPPORT RAIL                       |                                   |
| ⑨ EXTERIOR MANUAL RELEASE            |                                   |
| ⑩ INTERIOR MANUAL RELEASE (OPTIONAL) |                                   |
| ⑪ DOOR SPRING (10 PSF)               |                                   |
| ⑫ FM FUSIBLE LINK                    |                                   |
| ⑬ GALV. STEEL MID. CHANNEL GUTTER    |                                   |
| ⑭ EPDM GASKET                        |                                   |
| ⑮ TENSION SPRING                     |                                   |
| ⑯ LATCH ASSEMBLY                     |                                   |
| ⑰ GALV. STEEL BRACKET                |                                   |
| ⑱ PULLEY                             |                                   |

QTY	MODEL	DIMENSIONS	QTY	MODEL	DIMENSIONS
	4848	48" X 48"		6060	60" X 60"
	4872	48" X 72"		6072	60" X 72"
	4896	48" X 96"			
Snow Load: 10 psf		Wind Uplift: 105 psf			



## S-FMSV2D-SF

NOT TO SCALE

FM Approvals Report No. : PR457696

PROJECT :	
CUSTOMER :	
APPROVED BY:	DATE:
JOB NO. :	DATE NEEDED OR SHIP BY:
DATE SUB.:	Galvanized Steel Dual Lid FM Smoke Vent Single Dome Self-Flashing

REVISIONS	
△	_____
△	_____
△	_____
PAGE: 2.28	