



FRAME FINISH	MANUAL RELEASE OPTIONS
<input type="radio"/> MILL (UNFINISHED) <input type="radio"/> OTHER _____	<input type="radio"/> INTERIOR RELEASE <input type="radio"/> EXTERIOR RELEASE

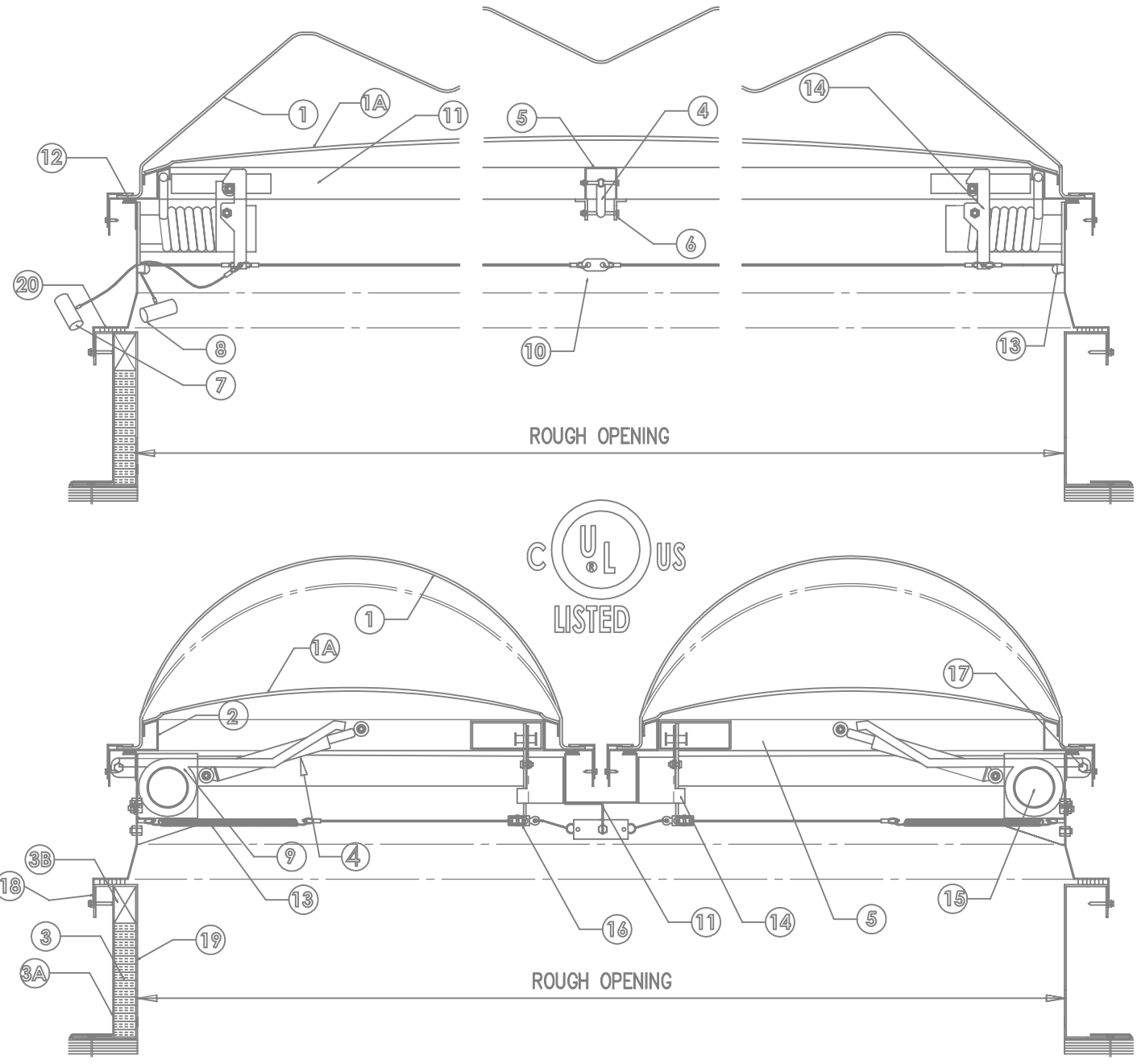
SKY-ARC™ DOUBLE DOME GLAZING	
OUTER GLAZING	
<input type="radio"/> WHITE SKY-TOUGH™(ST),SKY-ARC™(SA) (UL-972 listed) <input type="radio"/> CLEAR SKY-TOUGH™(ST),SKY-ARC™(SA) (UL-972 listed) <input type="radio"/> PRISMATIC DOME (WHITE OR CLEAR) <input type="radio"/> IR DOME	
INNER GLAZING	
<input type="radio"/> WHITE ACRYLIC (AW) <input type="radio"/> CLEAR ACRYLIC (AC) <input type="radio"/> PRISMATIC DOME (WHITE OR CLEAR)	

FUSIBLE LINK OPTIONS	SELF-FLASHING BASE OPTIONS
<input type="radio"/> 212° UL/FM FUSIBLE LINK <input type="radio"/> 286° UL/FM FUSIBLE LINK <input type="radio"/> 350° UL FUSIBLE LINK <input type="radio"/> 360° UL/FM FUSIBLE LINK <input type="radio"/> 370° UL FUSIBLE LINK	<input type="radio"/> BASE HEIGHT <input type="radio"/> 6 INCHES <input type="radio"/> 9 INCHES <input type="radio"/> 12 INCHES <input type="radio"/> OTHER _____ <input type="radio"/> 1" INSULATION <input type="radio"/> DUAL WALL LINER <input type="radio"/> WOOD NAILER

- | | |
|---|--|
| ① SKY TOUGH DOUBLE DOME
①A INNER DOME
② GALV. STEEL DOME FRAME
③ 1" INSULATION
③A DUAL WALL LINER
③B WOOD NAILER
④ SHOCK ABSORBER (DAMPENER)
⑤ SHOCK CHANNEL BRACKET @ LID
⑥ SUPPORT RAIL
⑦ EXTERIOR MANUAL RELEASE
⑧ INTERIOR MANUAL RELEASE (OPTIONAL)
⑨ DOOR SPRING (10 PSF)
⑩ UL/FM FUSIBLE LINK
⑪ GALV. STEEL MID. CHANNEL GUTTER
⑫ EPDM GASKET
⑬ TENSION SPRING
⑭ LATCH ASSEMBLY
⑮ GALV. STEEL BRACKET | ⑮ PULLEY
⑰ HINGE
⑱ GALV. STEEL CURB MOUNTED FRAME
⑲ SELF-FLASHING BASE (STEEL OR ALUMINUM)
⑳ FOAM TAPE |
|---|--|

QTY	MODEL	DIMENSIONS	QTY	MODEL	DIMENSIONS
	4848	48" X 48"		6060	60" X 60"
	4872	48" X 72"		6072	60" X 72"
	4896	48" X 96"		6096	60" X 96"

UL Cert #: 20140401-R21627 UL 10PSF



S-ULSV2D-DD-ST-CM on Self-Flashing Base

NOT TO SCALE

PROJECT :	
CUSTOMER :	
APPROVED BY:	DATE:
JOB NO. :	DATE NEEDED OR SHIP BY:
DATE SUB.:	Galvanized Steel Dual Lid UL Smoke Vent Double Dome Curb Mount on SF Base

REVISIONS	
△	_____
△	_____
△	_____