



FRAME FINISH

- MILL (UNFINISHED)
- OTHER _____

MANUAL RELEASE OPTIONS

- INTERIOR RELEASE
- EXTERIOR RELEASE

SKY-ARC™ SINGLE DOME GLAZING

OUTER GLAZING

- WHITE SKY-TOUGH™(ST),SKY-ARC™(SA) (UL-972 listed)
- CLEAR SKY-TOUGH™(ST),SKY-ARC™(SA) (UL-972 listed)

FUSIBLE LINK OPTIONS

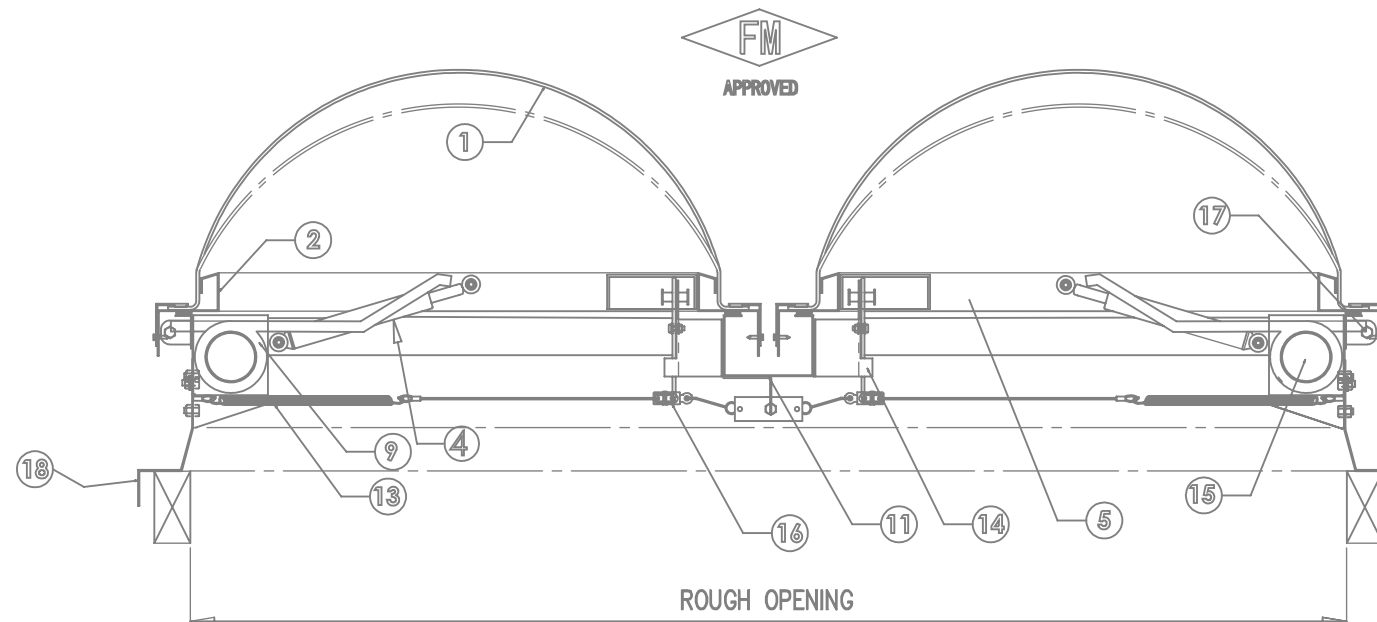
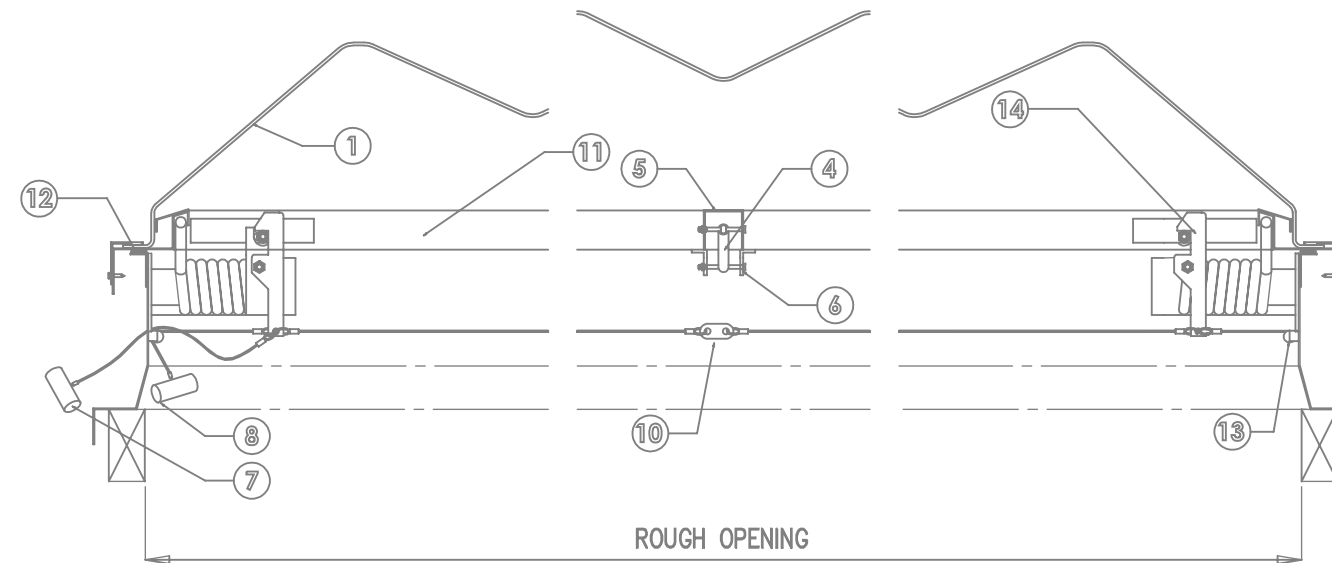
- 360° FM FUSIBLE LINK

- ① SKY TOUGH SINGLE DOME
- ② ALUMINUM DOME FRAME
- ④ SHOCK ABSORBER (DAMPENER)
- ⑤ SHOCK CHANNEL BRACKET @ LID
- ⑥ SUPPORT RAIL
- ⑦ EXTERIOR MANUAL RELEASE
- ⑧ INTERIOR MANUAL RELEASE (OPTIONAL)
- ⑨ DOOR SPRING (10 PSF)
- ⑩ FM FUSIBLE LINK
- ⑪ ALUMINUM MID. CHANNEL GUTTER
- ⑫ EPDM GASKET
- ⑬ TENSION SPRING
- ⑭ LATCH ASSEMBLY
- ⑮ GALV. STEEL BRACKET
- ⑯ PULLEY
- ⑰ HINGE
- ⑱ ALUMINUM CURB MOUNTED FRAME

QTY	MODEL	DIMENSIONS	QTY	MODEL	DIMENSIONS
	4848	48" X 48"		6060	60" X 60"
	4872	48" X 72"		6072	60" X 72"
	4896	48" X 96"			

Snow Load: 10 psf

Wind Uplift: 105 psf



A-FMSV2D-CM

NOT TO SCALE

FM Approvals Report No. : PR457696

PROJECT :

CUSTOMER :

APPROVED BY:

DATE:

JOB NO. :

DATE NEEDED OR SHIP BY:

DATE SUB.:

Aluminum Dual Lid FM Smoke Vent Single Dome Curb Mount

REVISIONS

- △ _____
- △ _____
- △ _____