

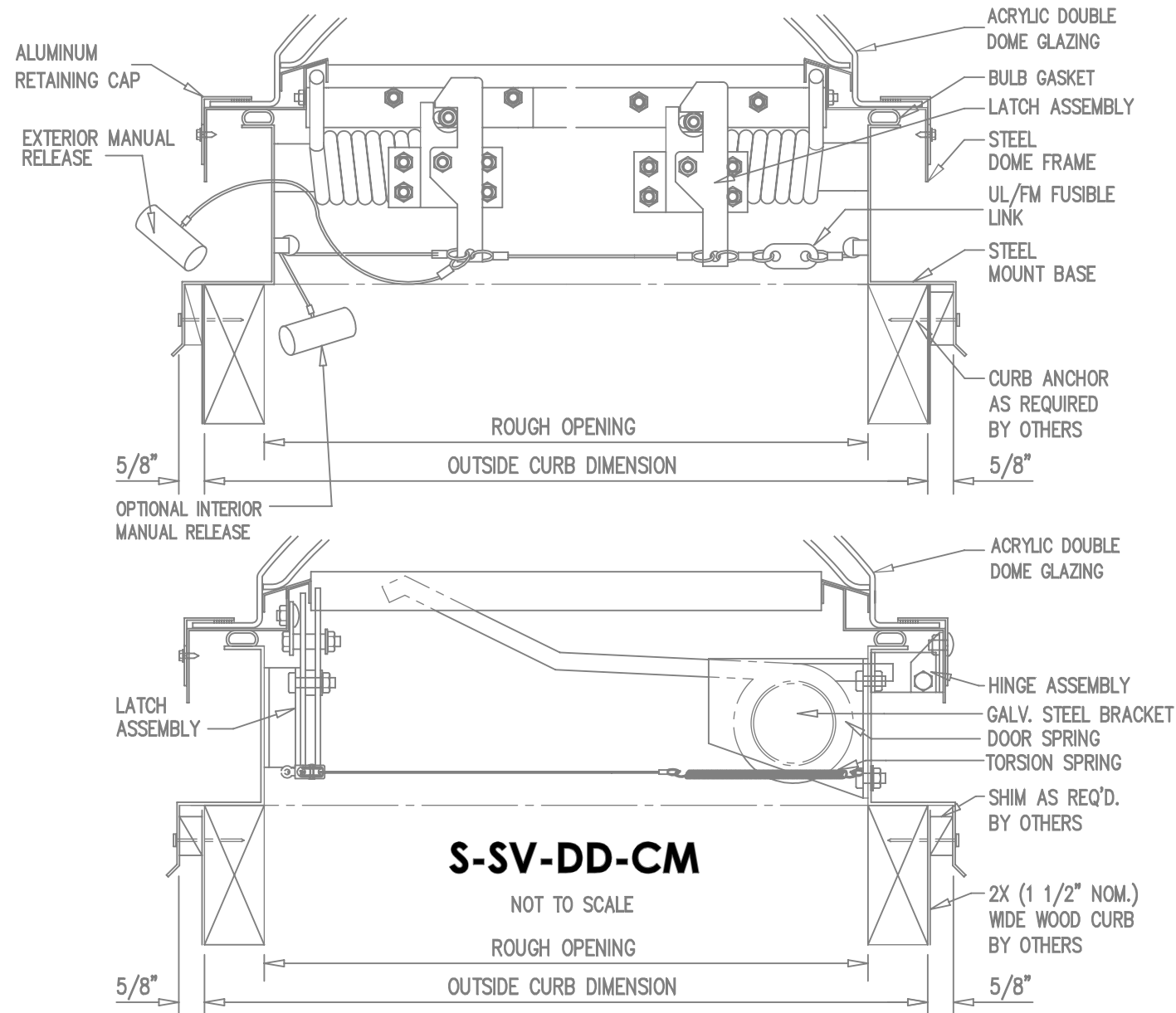


<b>FRAME FINISH</b>	<b>MANUAL RELEASE OPTIONS</b>
<input type="radio"/> MILL (UNFINISHED) <input type="radio"/> OTHER _____	<input type="radio"/> INTERIOR RELEASE <input type="radio"/> EXTERIOR RELEASE <input type="radio"/> NO MANUAL RELEASE

<b>DOUBLE DOME GLAZING</b>	
<b>OUTER GLAZING</b>	
<input type="radio"/> WHITE ACRYLIC (AW) <input type="radio"/> CLEAR ACRYLIC (AC) <input type="radio"/> PRISMATIC DOME (OPTIONAL) <input type="radio"/> IR DOME (OPTIONAL)	<input type="radio"/> OTHER: _____
<b>INNER GLAZING</b>	
<input type="radio"/> WHITE ACRYLIC (AW) <input type="radio"/> CLEAR ACRYLIC (AC) <input type="radio"/> PRISMATIC DOME (OPTIONAL)	

<b>FUSIBLE LINK OPTIONS</b>
<input type="radio"/> 165° UL/FM FUSIBLE LINK <input type="radio"/> 212° UL/FM FUSIBLE LINK <input type="radio"/> 286° UL/FM FUSIBLE LINK <input type="radio"/> 350° UL/FM FUSIBLE LINK <input type="radio"/> 360° UL/FM FUSIBLE LINK <input type="radio"/> 370° UL/FM FUSIBLE LINK

QTY	MODEL	DIMENSIONS	QTY	MODEL	DIMENSIONS
	4848	48" X 48"		6060	60" X 60"
	4872	48" X 72"		6072	60" X 72"
	4896	48" X 96"		6096	60" X 96"



PROJECT : \_\_\_\_\_

CUSTOMER : \_\_\_\_\_

APPROVED BY: \_\_\_\_\_ DATE: \_\_\_\_\_

JOB NO. : \_\_\_\_\_ DATE NEEDED OR SHIP BY: \_\_\_\_\_

DATE SUB.: \_\_\_\_\_

**S-SV-DD-CM**  
NOT TO SCALE

ROUGH OPENING  
OUTSIDE CURB DIMENSION

REVISIONS	
△	_____
△	_____
△	_____