



FRAME FINISH

- MILL (UNFINISHED)
- OTHER _____

MANUAL RELEASE OPTIONS

- INTERIOR RELEASE
- EXTERIOR RELEASE
- NO MANUAL RELEASE

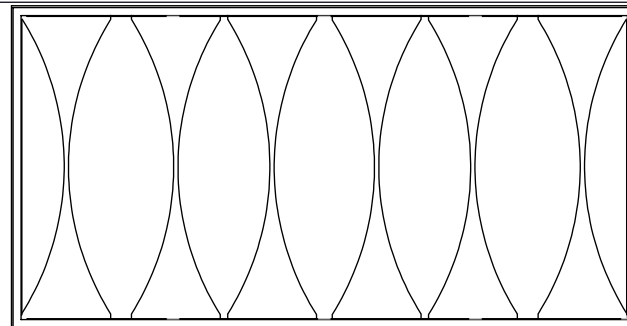
SKY-ARC™ SINGLE DOME GLAZING

OUTER GLAZING

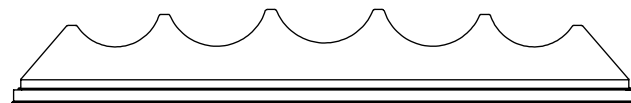
- WHITE SKY-TOUGH™(ST),SKY-ARC™(SA) (UL-972 listed)
- CLEAR SKY-TOUGH™(ST),SKY-ARC™(SA) (UL-972 listed)
- PRISMATIC DOME (OPTIONAL)
- IR DOME (OPTIONAL)

FUSIBLE LINK OPTIONS

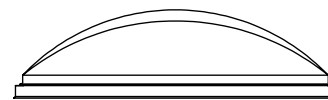
- 165° UL/FM FUSIBLE LINK
- 212° UL/FM FUSIBLE LINK
- 286° UL/FM FUSIBLE LINK
- 350° UL/FM FUSIBLE LINK
- 360° UL/FM FUSIBLE LINK
- 370° UL/FM FUSIBLE LINK



PLAN VIEW

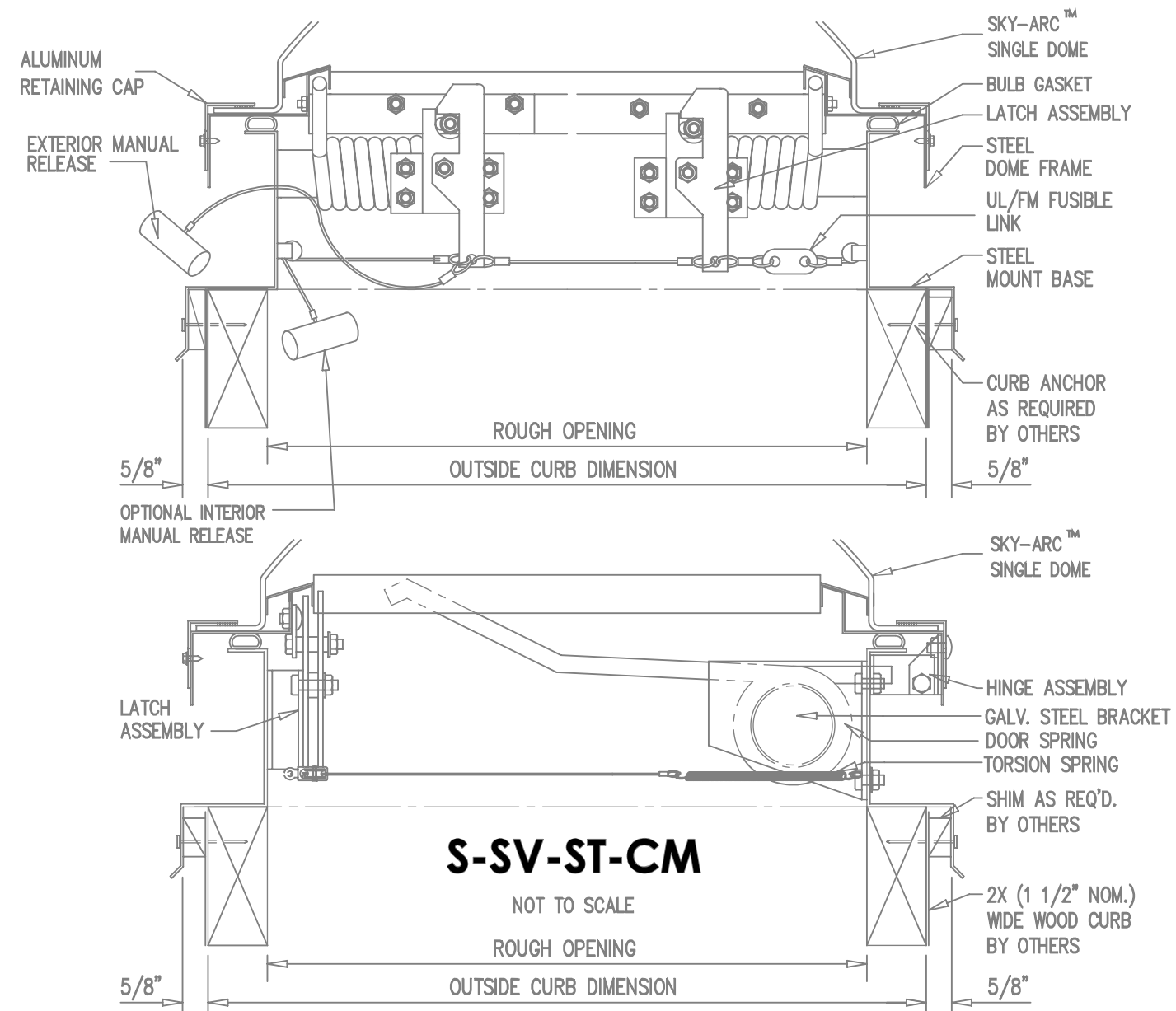


SIDE ELEVATION



END ELEVATION

QTY	MODEL	DIMENSIONS	QTY	MODEL	DIMENSIONS
	4848	48" X 48"		6060	60" X 60"
	4872	48" X 72"		6072	60" X 72"
	4896	48" X 96"		6096	60" X 96"



PROJECT :

CUSTOMER :

APPROVED BY:

DATE:

JOB NO. :

DATE NEEDED OR SHIP BY:

DATE SUB.:

STEEL SINGLE DOOR SMOKE VENT SKY-ARC CURB MOUNT

REVISIONS

△	_____
△	_____
△	_____