



FRAME FINISH

- MILL (UNFINISHED)
- OTHER _____

MANUAL RELEASE OPTIONS

- INTERIOR RELEASE
- EXTERIOR RELEASE
- NO MANUAL RELEASE

SINGLE DOME GLAZING

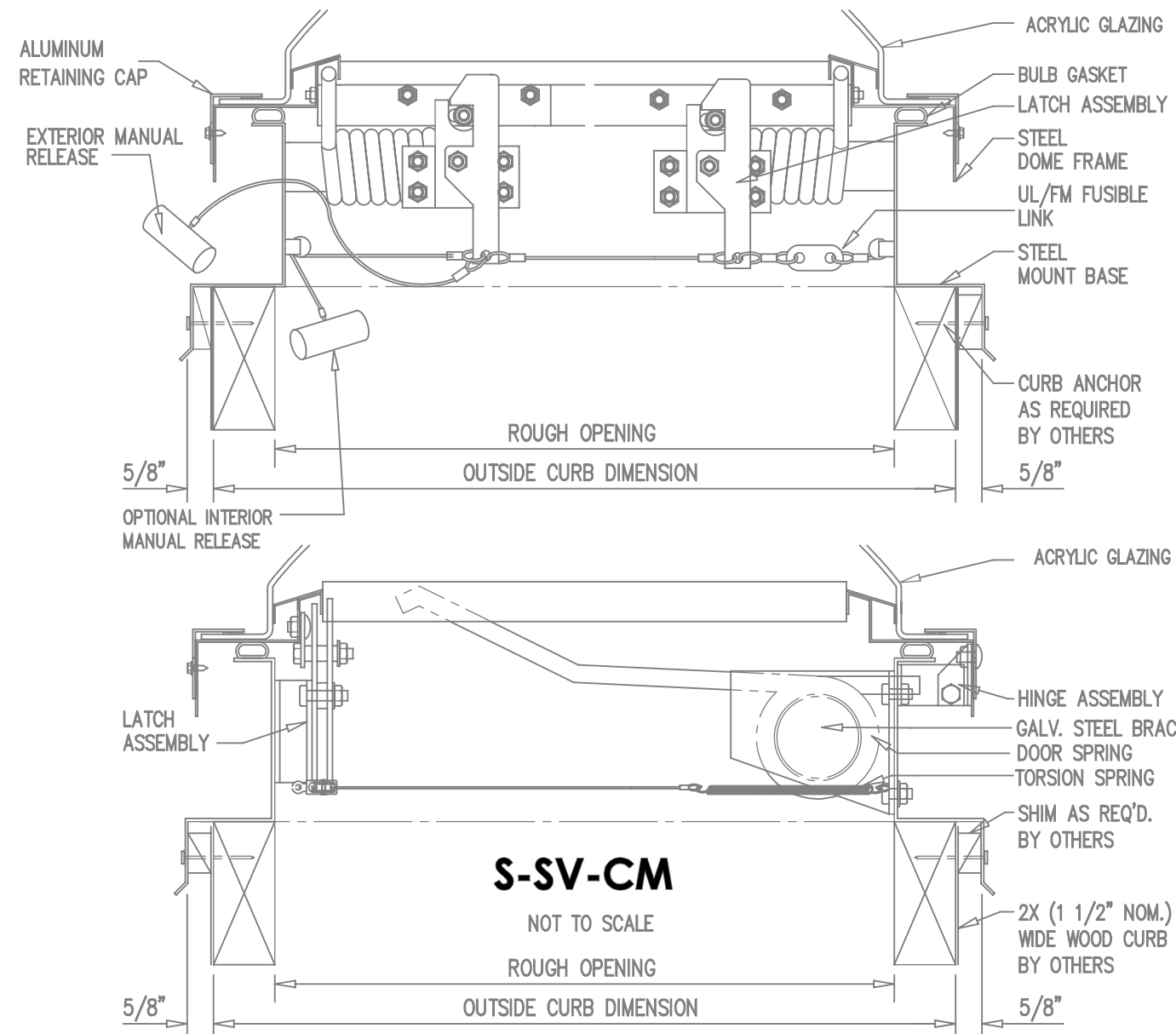
OUTER GLAZING

- WHITE ACRYLIC (AW)
- CLEAR ACRYLIC (AC)
- PRISMATIC DOME (WHITE OR CLEAR)
- IR DOME (OPTIONAL)
- OTHER: _____

FUSIBLE LINK OPTIONS

- 165° UL/FM FUSIBLE LINK
- 212° UL/FM FUSIBLE LINK
- 286° UL/FM FUSIBLE LINK
- 350° UL/FM FUSIBLE LINK
- 360° UL/FM FUSIBLE LINK
- 370° UL/FM FUSIBLE LINK

QTY	MODEL	DIMENSIONS	QTY	MODEL	DIMENSIONS
	4848	48" X 48"		6060	60" X 60"
	4872	48" X 72"		6072	60" X 72"
	4896	48" X 96"		6096	60" X 96"



PROJECT :

CUSTOMER :

APPROVED BY:

DATE:

JOB NO. :

DATE NEEDED OR SHIP BY:

DATE SUB.:

STEEL SINGLE DOOR SMOKE VENT CURB MOUNT

REVISIONS

- △ _____
- △ _____
- △ _____