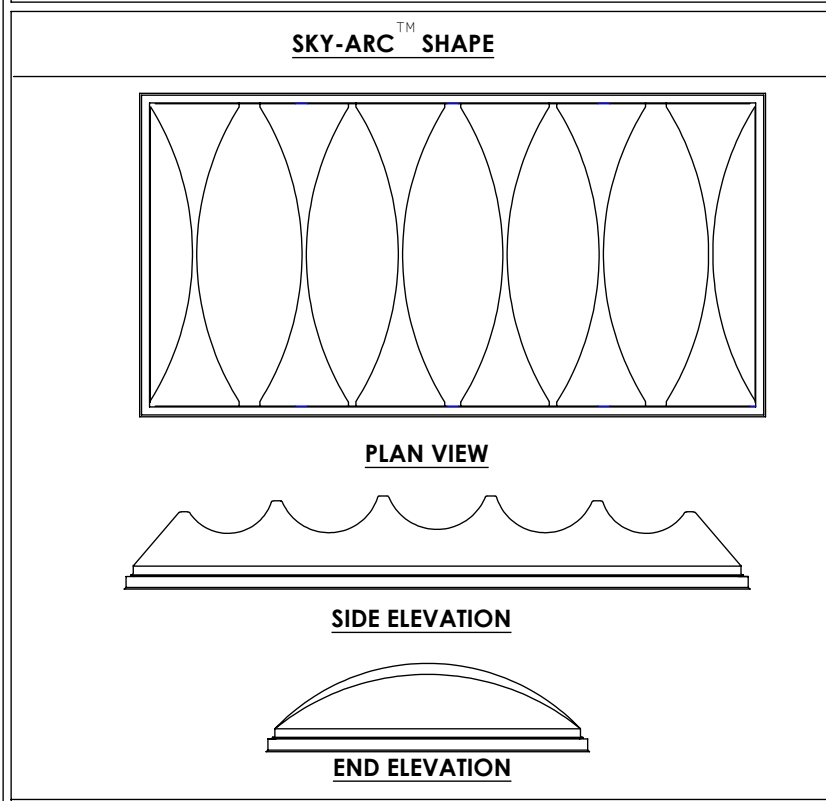


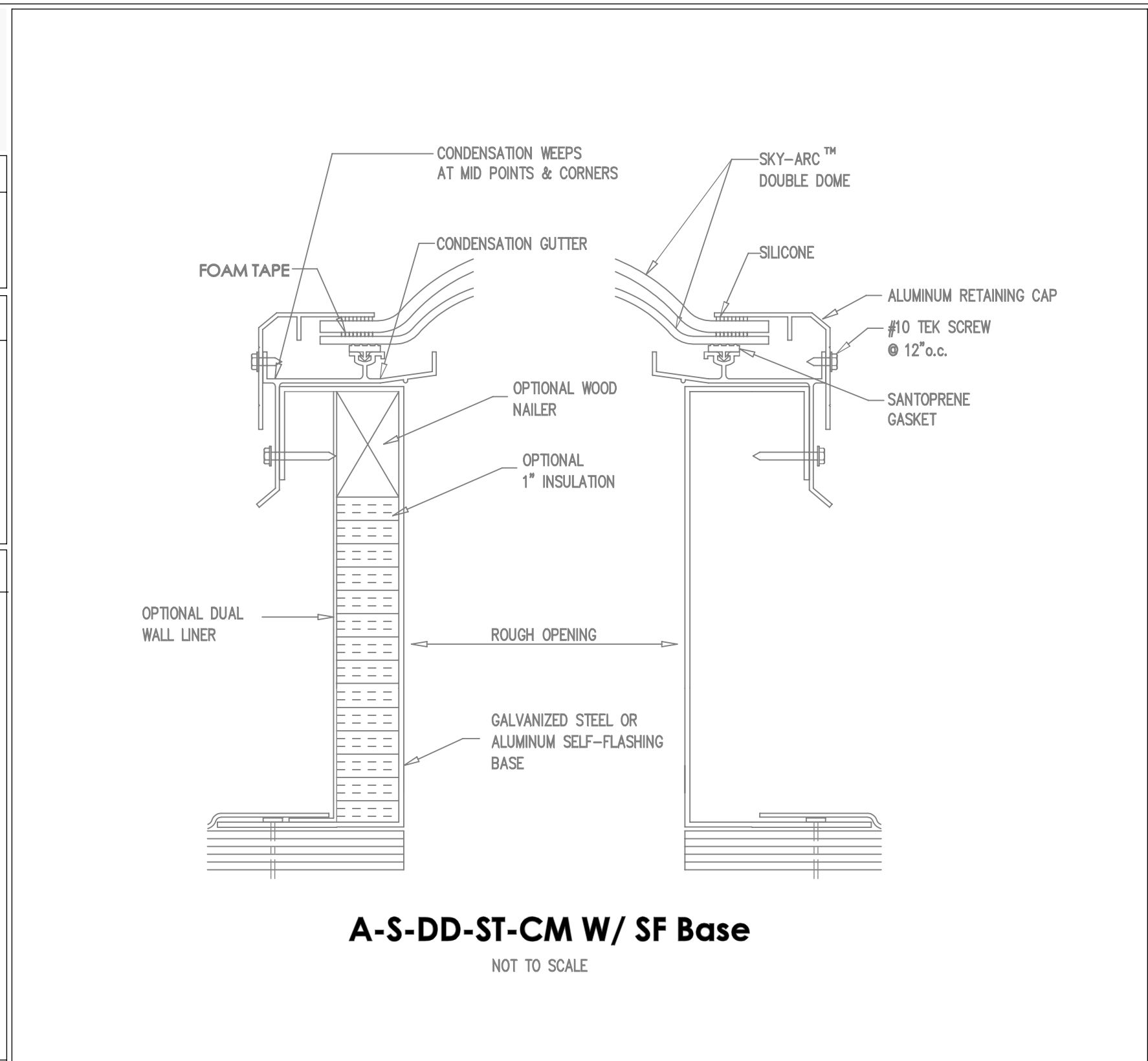


FRAME FINISH OPTIONS	SELF-FLASHING BASE OPTIONS
<input type="radio"/> MILL (UNFINISHED) <input type="radio"/> BRONZE POWDER COAT <input type="radio"/> WHITE POWDER COAT <input type="radio"/> OTHER (COLOR: _____)	<input type="radio"/> BASE HEIGHT: _____ <input type="radio"/> 1" INSULATION <input type="radio"/> DUAL WALL LINER <input type="radio"/> WOOD NAILER

SKY-ARC™ Double Dome Glazing
<p>OUTER GLAZING</p> <input type="radio"/> WHITE SKY-TOUGH™(ST),SKY-ARC™(SA) (UL-972 listed) <input checked="" type="radio"/> CLEAR SKY-TOUGH™(ST),SKY-ARC™(SA) (UL-972 listed) <input type="radio"/> PRISMATIC DOME (WHITE OR CLEAR) <input type="radio"/> IR DOME
<p>INNER GLAZING</p> <input type="radio"/> WHITE ACRYLIC (AW) <input type="radio"/> CLEAR ACRYLIC (AC) <input type="radio"/> PRISMATIC DOME (WHITE OR CLEAR)



QTY.	MODEL	ROUGH OPENING	CUSTOM SIZES AVAILABLE		
	IDI	44-1/2" x 91"	ENTER QUANTITIES AND DIMENSIONS		
	2246	22-1/4"X46-1/4"			
	4848	48" X 48"	QTY.	MODEL	ROUGH OPENING
	4896	48" X 96"			
	6072	60" X 72"			
	6096	60" X 96"			



PROJECT :	REVISIONS
CUSTOMER :	
APPROVED BY: _____ DATE: _____	
JOB NO. : _____ DATE NEEDED OR SHIP BY: _____	
DATE SUB.: _____	Aluminum Double Dome Skylight Curb Mount w/ SF Base PAGE: 1.02ST