



FRAME FINISH OPTIONS

- MILL (UNFINISHED)
- BRONZE POWDER COAT
- WHITE POWDER COAT
- OTHER (COLOR: _____)

Smooth Double Dome Glazing

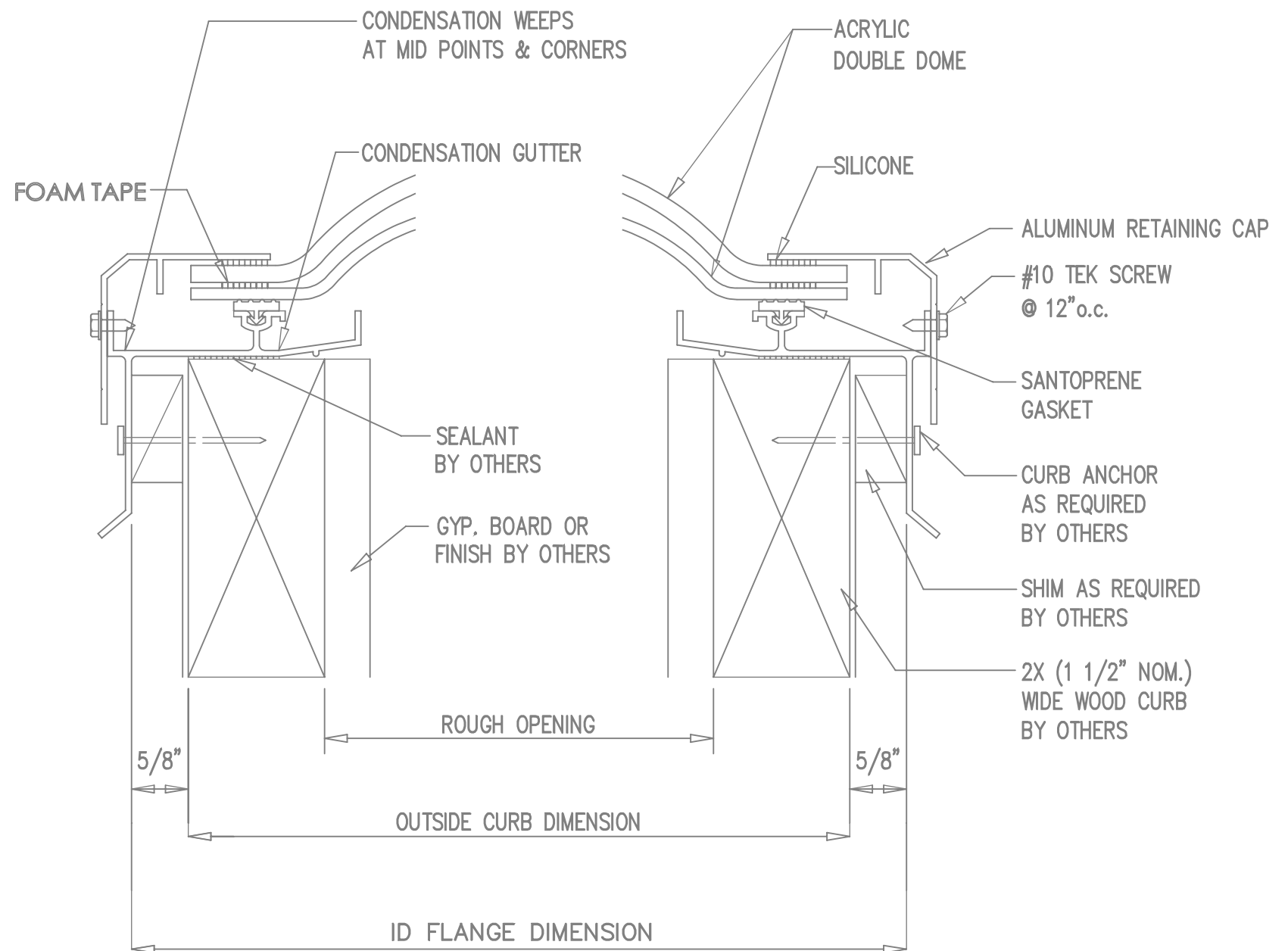
OUTER GLAZING

- WHITE ACRYLIC
- CLEAR ACRYLIC
- BRONZE ACRYLIC
- PRISMATIC DOME (WHITE OR CLEAR)
- IR DOME

INNER GLAZING

- WHITE ACRYLIC (AW)
- CLEAR ACRYLIC (AC)
- PRISMATIC DOME (WHITE OR CLEAR)

QTY.	MODEL	ROUGH OPENING	QTY.	MODEL	ROUGH OPENING
SQUARE			RECTANGULAR		
	1414	14-1/4"X14-1/4"		2246	22-1/4"X46-1/4"
	1919	19" X 19"		2272	22-1/4"X72"
	2222	22-1/4"X22-1/4"		2296	22-1/4"X96"
	3030	30-1/4"X30-1/4"		3037	30-1/4"X37"
	3737	37" X 37"		3046	30-1/4"X46-1/4"
	4242	42" X 42"		3060	30-1/4"X60-1/4"
	4646	46-1/4"X46-1/4"		3069	30-1/4"X69-1/2"
	4848	48" X 48"		3096	30-1/4"X96"
	5555	55" X 55"		3496	34"X96"
	7070	70-1/4"X70-1/4"		3746	37"X46-1/4"
	7575	75" X 75"		3775	37"X75"
	8484	84" X 84"		3859	38"X59"
	9292	92-1/2"X92-1/2"		4669	46-1/4"X69-1/2"
		RECTANGULAR		4689	46-1/4"X89-1/2"
	1422	14-1/4"X22-1/4"		4896	48"X96"
	1446	14-1/4"X46-1/4"		5460	54"X60"
	2230	22-1/4"X30-1/4"		6072	60"X72"
	2237	22-1/4"X37"		6096	60"X96"
		CUSTOM SIZE O.D.CURB			CUSTOM SIZE I.D.FLANGE



A-S-DD-CM

NOT TO SCALE

PROJECT : _____

CUSTOMER : _____

APPROVED BY: _____ **DATE:** _____

JOB NO. : _____ **DATE NEEDED OR SHIP BY:** _____

DATE SUB.: _____ **Aluminum Double Dome Skylight Curb Mount**

REVISIONS	
△	_____
△	_____
△	_____

PAGE: 1.02