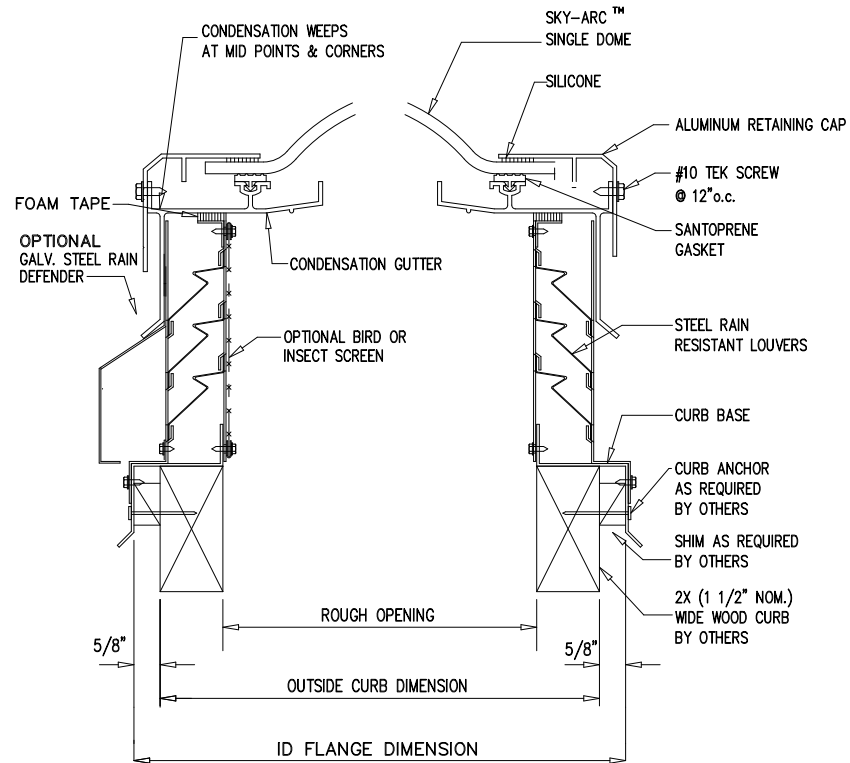
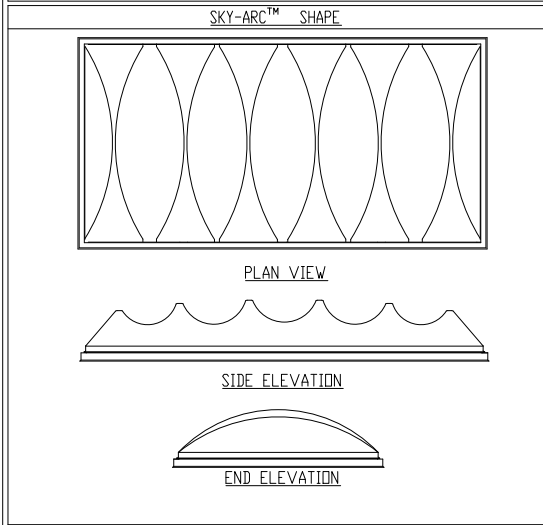


FRAME FINISH OPTIONS	OPTIONS
<input type="radio"/> MILL (UNFINISHED) <input type="radio"/> BRONZE POWDER COAT <input type="radio"/> WHITE POWDER COAT <input type="radio"/> OTHER (COLOR: _____)	<input type="radio"/> BIRD SCREEN <input type="radio"/> INSECT SCREEN <input type="radio"/> RAIN DEFENDER

SKY-ARC SINGLE GLAZING	
OUTER GLAZING	
<input type="radio"/> WHITE SKY-TOUGH™ (ST), SKY-ARC™ (SA) (UL-972 listed) <input type="radio"/> CLEAR SKY-TOUGH™ (ST), SKY-ARC™ (SA) (UL-972 listed) <input type="radio"/> PRISMATIC DOME (WHITE OR CLEAR) <input type="radio"/> IR DOME	

FREE AIR SPACE	
2246- 4.25 Sq. Ft.	4848- 6 Sq. Ft.
6072- 8.25 Sq. Ft.	4896- 9 Sq. Ft.
6096- 9.75 Sq. Ft.	



A-SL3-ST-CM
NOT TO SCALE

Per ICC Report ESR-2415

QTY.	MODEL	ROUGH OPENING	CUSTOM SIZES AVAILABLE		
			ENTER QUANTITIES AND DIMENSIONS		
	2246	22-1/4" X 46-1/4"			
	4848	48" X 48"	QTY.	MODEL	ROUGH OPENING
	4896	48" X 96"			
	6072	60" X 72"			
	6096	60" X 96"			

PROJECT :	
CUSTOMER :	
APPROVED BY:	DATE:
JOB NO. :	DATE NEEDED OR SHIP BY:
DATE SUB:	Aluminum Single Dome Skylight Curb Mount on Galvanized Steel Louvered Base Curb Mount

REVISIONS
△
△
△

PAGE: 1.31ST