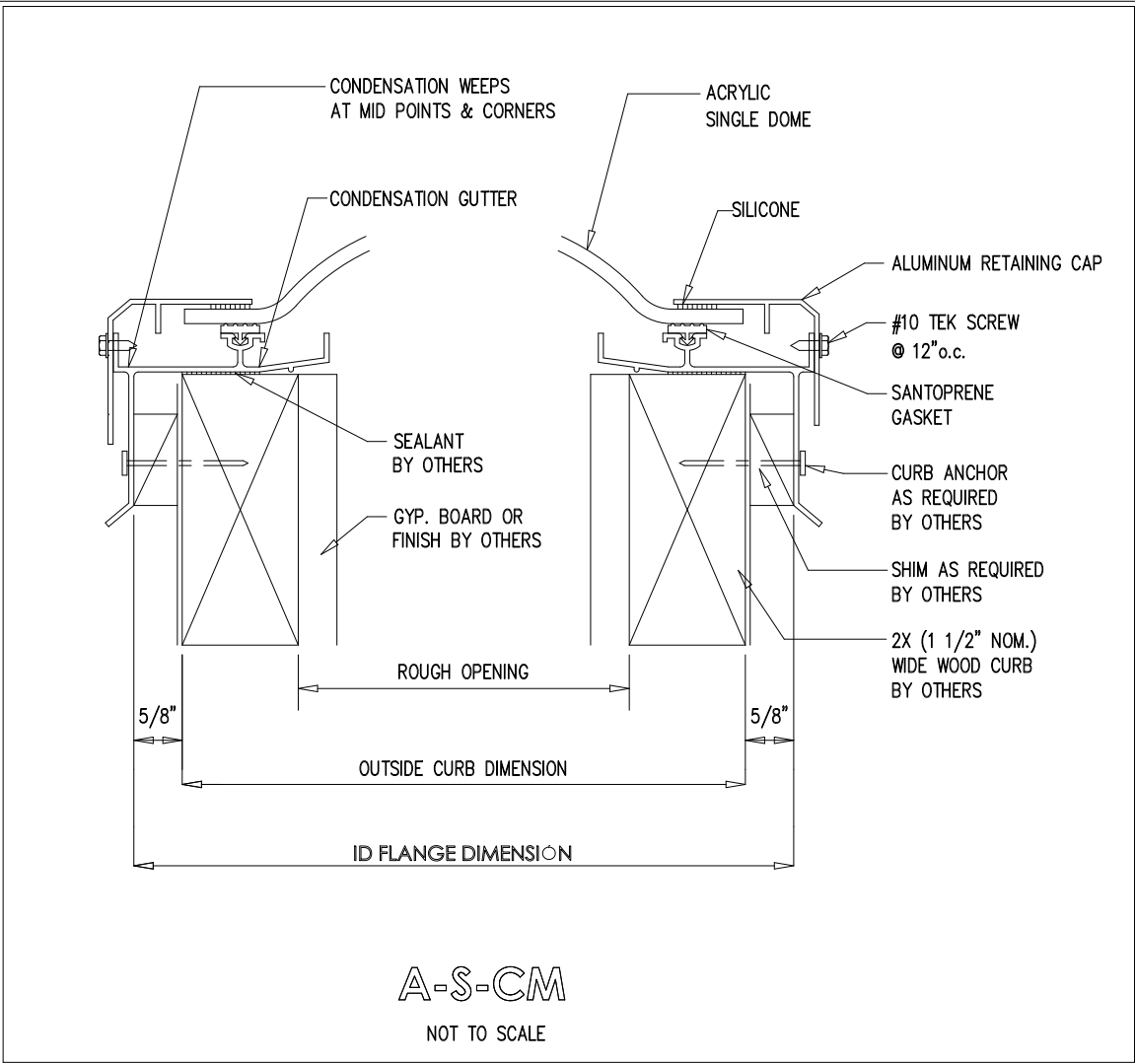


FRAME FINISH OPTIONS	
<input type="radio"/> MILL (UNFINISHED) <input type="radio"/> BRONZE POWDER COAT <input type="radio"/> WHITE POWDER COAT <input type="radio"/> OTHER (COLOR: _____)	

Smooth Single Dome Glazing	
<p style="text-align: center;"><u>OUTER GLAZING</u></p> <input type="radio"/> WHITE ACRYLIC <input type="radio"/> CLEAR ACRYLIC <input type="radio"/> BRONZE ACRYLIC <input type="radio"/> PRISMATIC DOME (WHITE OR CLEAR) <input type="radio"/> IR DOME	

QTY.	MODEL	ROUGH OPENING	QTY.	MODEL	ROUGH OPENING
SQUARE			RECTANGULAR		
	1414	14-1/4"x14-1/4"	2246	22-1/4"x46-1/4"	
	1919	19" X 19"	2272	22-1/4"x72"	
	2222	22-1/4"x22-1/4"	2296	22-1/4"x96"	
	3030	30-1/4"x30-1/4"	3037	30-1/4"x37"	
	3737	37" X 37"	3046	30-1/4"x46-1/4"	
	4242	42" X 42"	3060	30-1/4"x60-1/4"	
	4646	46-1/4"x46-1/4"	3069	30-1/4"x69-1/2"	
	4848	48" X 48"	3096	30-1/4"x96"	
	5555	55" X 55"	3496	34"x96"	
	7070	70-1/4"x70-1/4"	3746	37"x46-1/4"	
	7575	75" X 75"	3775	37"x75"	
	8484	84" X 84"	3859	38"x59"	
	9292	92-1/2"x92-1/2"	4669	46-1/4"x69-1/2"	
	RECTANGULAR		4689	46-1/4"x89-1/2"	
	1422	14-1/4"x22-1/4"	4896	48"x96"	
	1446	14-1/4"x46-1/4"	5460	54"x60"	
	2230	22-1/4"x30-1/4"	6072	60"x72"	
	2237	22-1/4"x37"	6096	60"x96"	
	CUSTOM SIZE O.D.CURB			CUSTOM SIZE I.D.FLANGE	



PROJECT :	
CUSTOMER :	
APPROVED BY:	DATE:
JOB NO. :	DATE NEEDED OR SHIP BY:
DATE SUB:	Aluminum Single Dome Skylight Curb Mount

REVISIONS
△
△
△
PAGE: 1.01